



System 50 - Aluminium (AL)

Extraction arms

Table mounting	50 AL 2
Wall and ceiling mounting	50 AL 3

Hoods

Suction pen 1-5021	50 AL 4
Suction pen 1-5022	50 AL 5
Suction pen 1-5031	50 AL 6
Suction pen 1-5032	50 AL 7
Suction nozzle 1-5010	50 AL 8
Suction nozzle 1-5020	50 AL 9
Metal hood 1-5024	50 AL 10
Round hood 1-5028	50 AL 11
Round hood 1-5035	50 AL 12
Square hood 1-502015	50 AL 18
Square hood 1-502422	50 AL 14
Flat hood 1-503324	50 AL 15

Brackets

Table bracket 2-5010	50 AL 16
U-profile 30-50-5	50 AL 17
Wall bracket 2-195	50 AL 18
Ceiling columns	50 AL 19

Accessories

Reducer 4-6350	50 AL 20
Reducer 4-8050	50 AL 21
Reducer 4-10075	50 AL 22
Cover flange 4-200-200	50 AL 23
Support bracket 2-75-5	50 AL 24
Protective netting 5-16	50 AL 25



System 50 - Aluminium (AL)

All components RoHS-compatible.

Design:

- Extraction arm for mounting on table
- Working range 445-1425 mm
- Recommended airflow 45 to 85 m³/h
- Diameter of tube Ø50 mm
- Tubes made of anodized Aluminium - surface 10 µ
- Joints made of shatterproof, chemical resistant polypropylene (PP)
- Colour of joints: white (-5), red (-4) or black (-050)
- All O-rings maintenance free
- Integrated valve. When in an open position out of the flow path to maintain the maximum amount of flow
- All threaded stays, springs and thumbscrews made of acid-proof stainless steel (AISI 316L)
- Acid-proof POP[®] rivets for increased durability in aggressive environments
- All hoods can be provided with a protective netting to reduce the risk of extracting foreign objects
- Dismantling of the arm without tools for cleaning

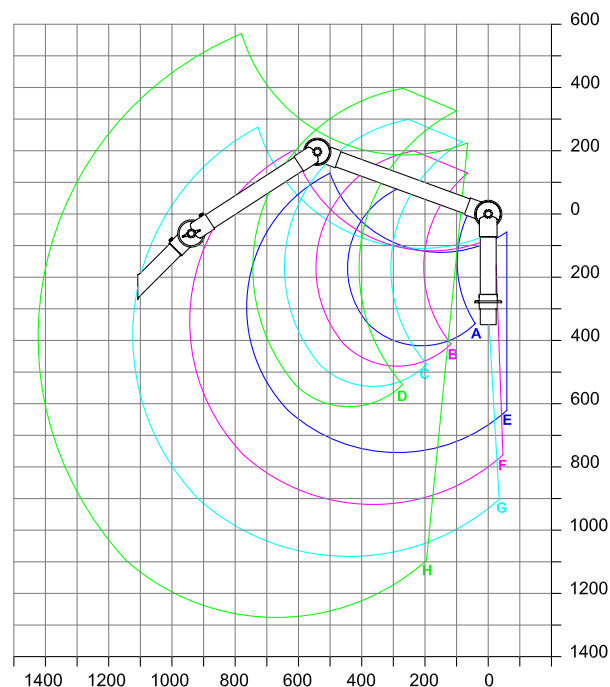


Links: [Pressure drop chart](#), [Mounting](#), [User's manual](#), [Capture efficiency](#)

Working area

We do not recommend a stationary working position in the upper or lower working area.

All units in mm



A: Model 50-27-1-4 /-5 /-050
B: Model 50-37-1-4 /-5 /-050
C: Model 50-47-1-4 /-5 /-050
D: Model 50-57-1-4 /-5 /-050
E: Model 50-3727-1-4 /-5 /-050
F: Model 50-4737-1-4 /-5 /-050
G: Model 50-5747-1-4 /-5 /-050
H: Model 50-8747-1-4 /-5 /-050



System 50 - Aluminium (AL)

All components RoHS-compatible.

Design:

- Extraction arm for mounting on wall or ceiling
- Working range 430 - 1660 mm
- Recommended airflow 45 to 85 m³/h
- Diameter of tube Ø50 mm
- Tubes made of anodized Aluminium - surface 10 µ
- Joints made of shatterproof, chemical resistant polypropylene (PP)
- Colour of joints: white (-5), red (-4) or black (-050)
- All O-rings maintenance free
- Integrated valve. When in an open position out of the flow path to maintain the maximum amount of flow
- All threaded stays, springs and thumbscrews made of acid-proof stainless steel (AISI 316L)
- Acid-proof POP® rivets for increased durability in aggressive environments
- All hoods can be provided with a protective netting to reduce the risk of extracting foreign objects
- Dismantling of the arm without tools for cleaning

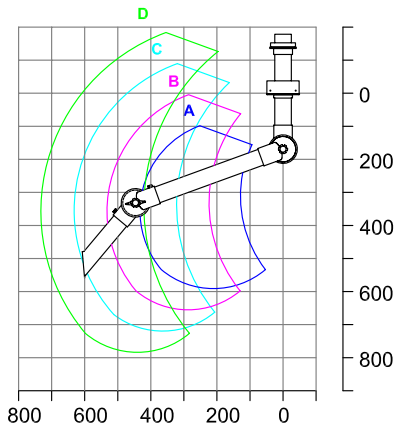


Links: [Pressure drop chart](#), [Mounting](#), [User's manual](#), [Capture efficiency](#)

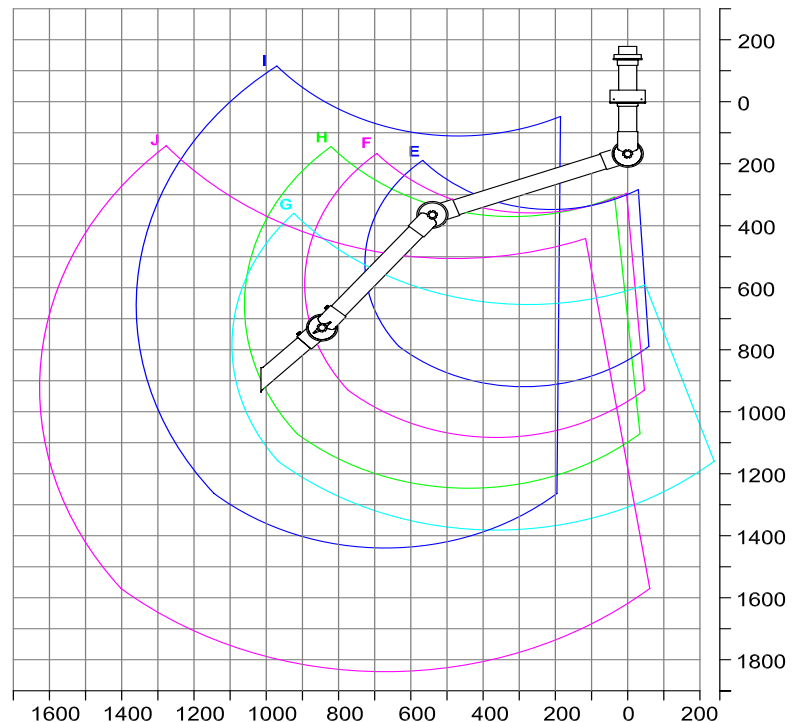
Working area

We do not recommend a stationary working position in the upper or lower working area.

All units in mm



- A: Model 50-27-3-4 /-5 /-050
- B: Model 50-37-3-4 /-5 /-050
- C: Model 50-47-3-4 /-5 /-050
- D: Model 50-57-3-4 /-5 /-050



- E: Model 50-3727-3-4 /-5 /-050
- F: Model 50-4737-3-4 /-5 /-050
- G: Model 50-4767-3-4 /-5 /-050
- H: Model 50-5747-3-4 /-5 /-050
- I: Model 50-8747-3-4 /-5 /-050
- J: Model 50-8787-3-4 /-5 /-050

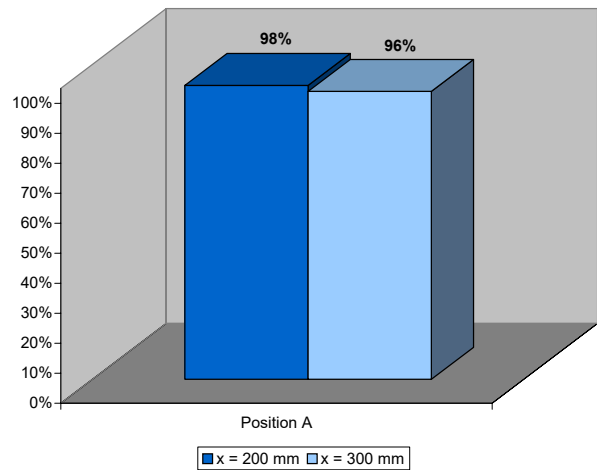
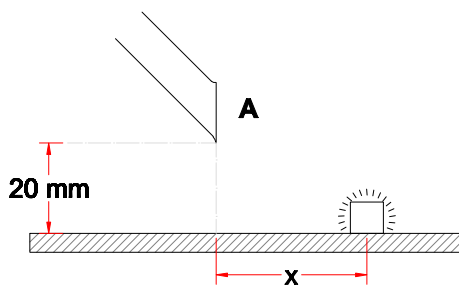


System 50 - Aluminium (AL)

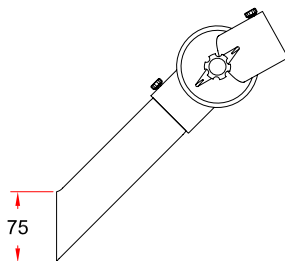
- Suction pen recommended for small concentrated sources of pollution
- High efficiency as the suction pen gets close to the source without obstructing the work process
- Tube made of anodized aluminium - surface 10 μ
- With funnel in order to increase the capture efficiency
- Length: 210 mm



Capture efficiency



Drawing



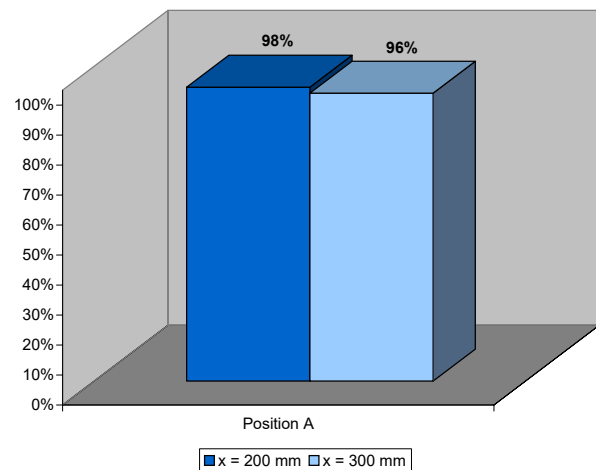
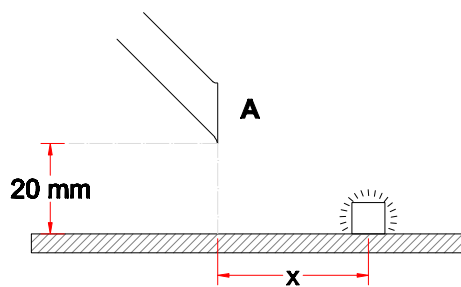


System 50 - Aluminium (AL)

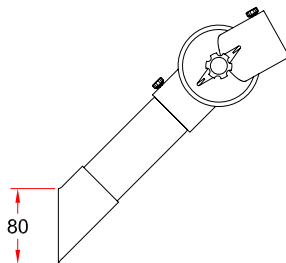
- Suction pen recommended for small concentrated sources of pollution
- High efficiency as the suction pen gets close to the source without obstructing the work process
- Tube made of anodized aluminium - surface 10 μ
- Tip made of shatterproof, chemical resistant polypropylene (PP)
- Tip colour: white (-5) or red (-4)
- With funnel in order to increase the capture efficiency
- Length: 210 mm



Capture efficiency



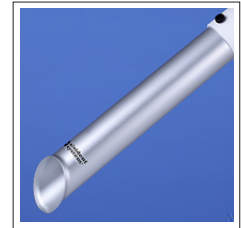
Drawing



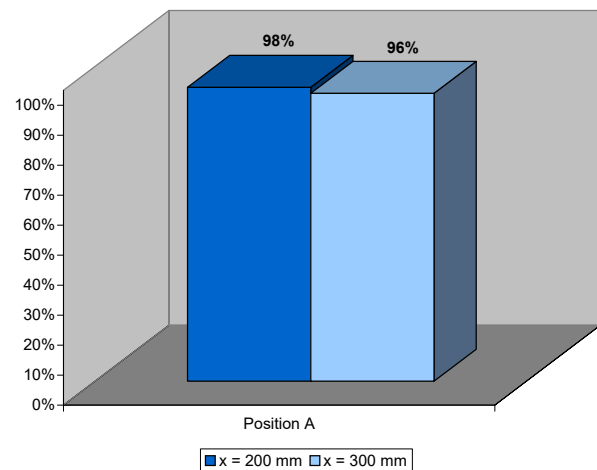
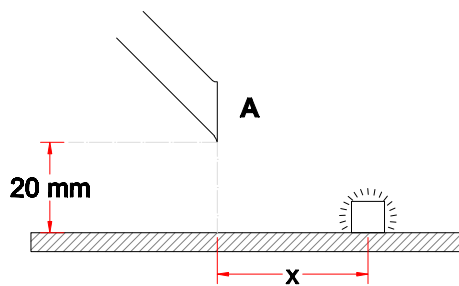


System 50 - Aluminium (AL)

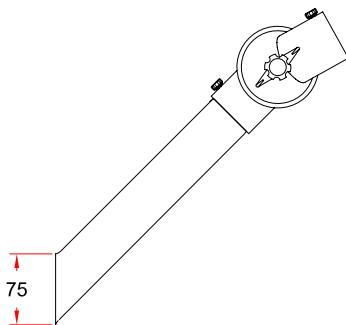
- Suction pen recommended for small concentrated sources of pollution
- High efficiency as the suction pen gets close to the source without obstructing the work process
- Tube made of anodized aluminium - surface $10\ \mu$
- With funnel in order to increase the capture efficiency
- Length: 310 mm



Capture efficiency



Drawing



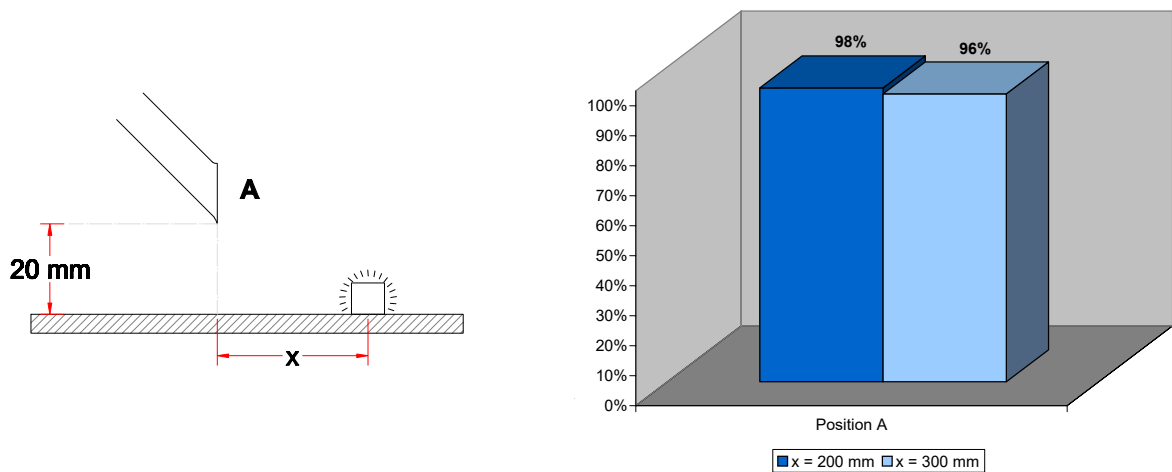


System 50 - Aluminium (AL)

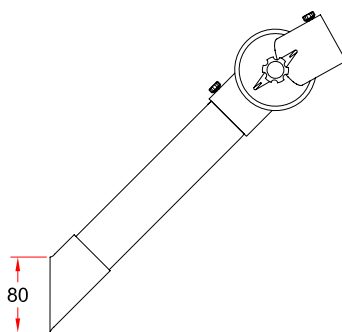
- Suction pen recommended for small concentrated sources of pollution
- High efficiency as the suction pen gets close to the source without obstructing the work process
- Tube made of anodized aluminium - surface 10 μ
- Tip made of shatterproof, chemical resistant polypropylene (PP)
- Tip colour: white (-5) or red (-4)
- With funnel in order to increase the capture efficiency
- Length: 310 mm



Capture efficiency



Drawing





System 50 - Aluminium (AL)

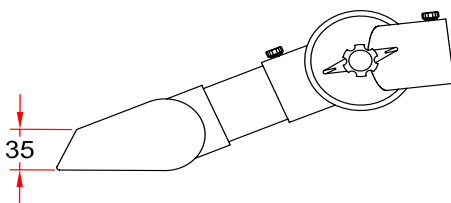
- Suction nozzle recommended for small concentrated sources of pollution
- Width: 100 mm
- Tube and nozzle made of anodized aluminium - surface 10 μ - and shatterproof chemical resistant polypropylene (PP)
- Internal distribution tube in order to increase the capture efficiency
- Colours available: white (-5) or red (-4)



Capture efficiency

Measurements for this product are comparable with article no. [1-5020](#).

Drawing



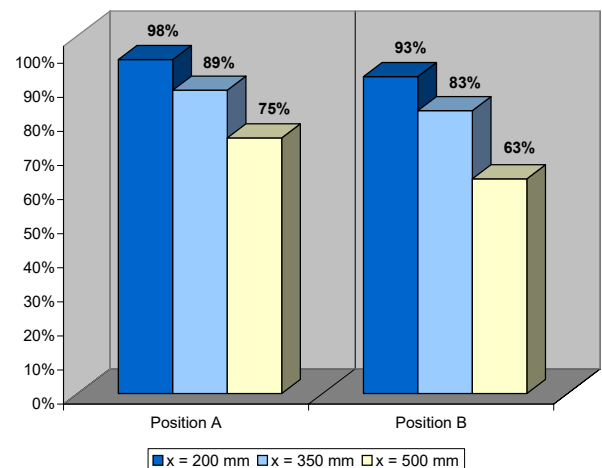
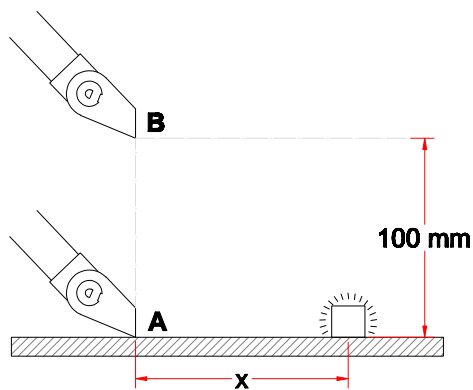


System 50 - Aluminium (AL)

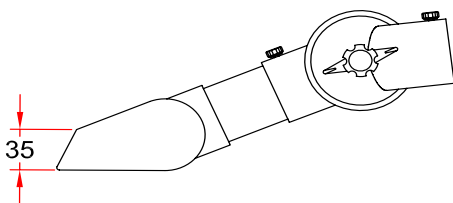
- Suction nozzle recommended for small concentrated sources of pollution
- Width: 200 mm
- Tube and nozzle made of anodized aluminium - surface 10 μ - and shatterproof chemical resistant polypropylene (PP)
- Internal distribution tube in order to increase the capture efficiency
- Colours available: white (-5) or red (-4)



Capture efficiency



Drawing





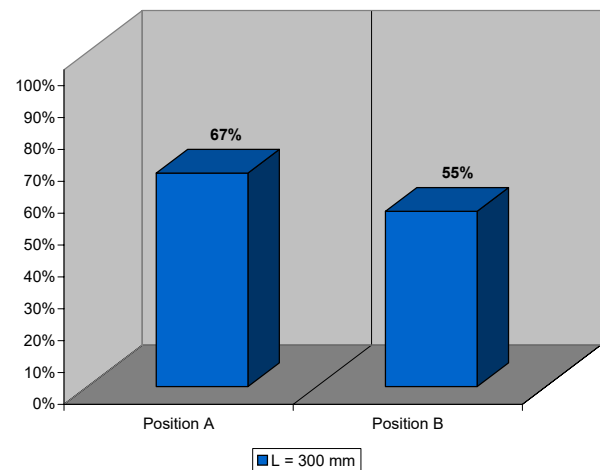
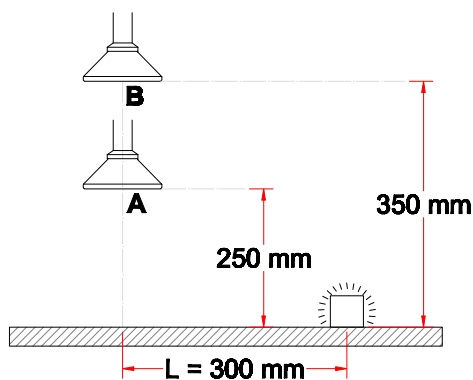
System 50 - Aluminium (AL)

- Metal hood recommended when extracting hot gases, fumes, light dust concentrations etc.
- Diameter of hood: $\varnothing 200$ mm
- Hood made of aluminium with a polyester powder-coating
- Connection tube made of anodized aluminium - surface 10μ
- Colours of hood and flange available: white (-5) or red (-4)

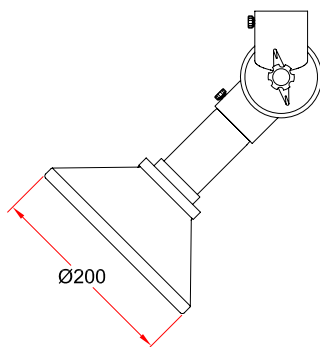


Capture efficiency

The relatively low efficiency indicates, that the illustrated position is not optimal for this hood. For system 100 other measurements have been made for a similar round hood - see article no. [1-10024](#).



Drawing





System 50 - Aluminium (AL)

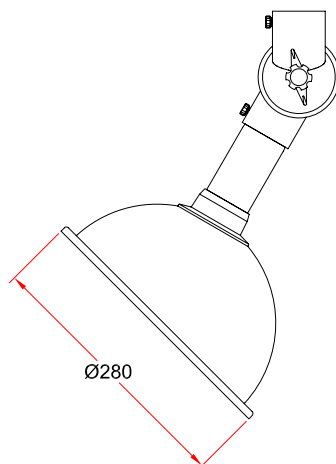
- Round hood recommended for light fumes, gases and small open vessels
- Diameter of hood: Ø280 mm
- Increased stability when moving the hood due to reinforced rim of the hood
- Increased efficiency at an angled position
- Hood made of transparent PETG, resistant to solvents
- Connection tube made of anodized aluminium - surface 10 µ
- The transparent hood assists in keeping a good view of the work place
- Colours of flange available: white (-5), red (-4) or black (-050)



Capture efficiency

Measurements for this product are comparable with article no. [1-6328](#).

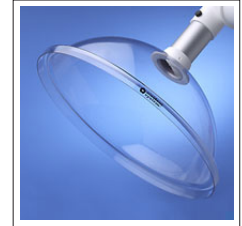
Drawing





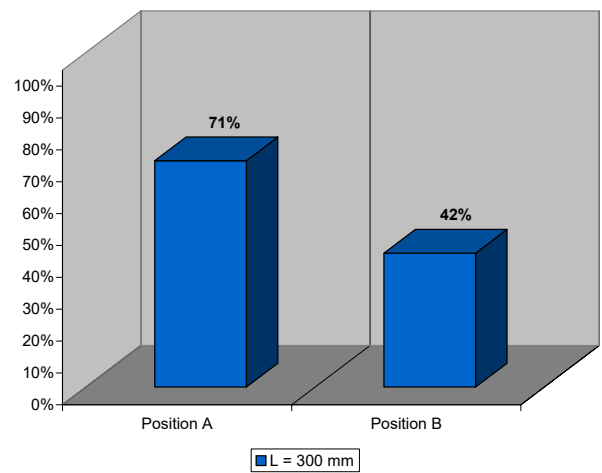
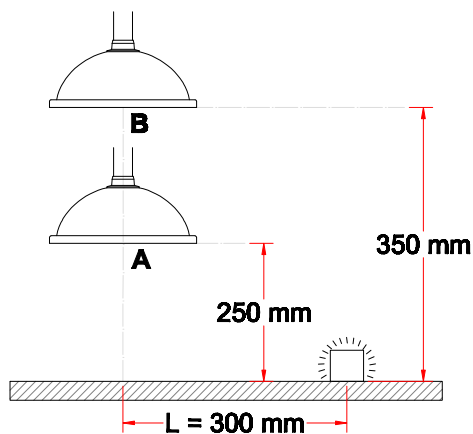
System 50 - Aluminium (AL)

- Round hood recommended for light fumes, gases and over small open vessels
- Diameter of hood: $\varnothing 385$ mm
- Increased stability when moving the hood due to reinforced rim of the hood
- Increased efficiency at an angled position
- Hood made of transparent PETG, resistant to solvents
- Connection tube made of anodized aluminium - surface 10μ
- The transparent hood assists in keeping a good view of the work place
- Colours of flange available: white (-5) and red (-4)

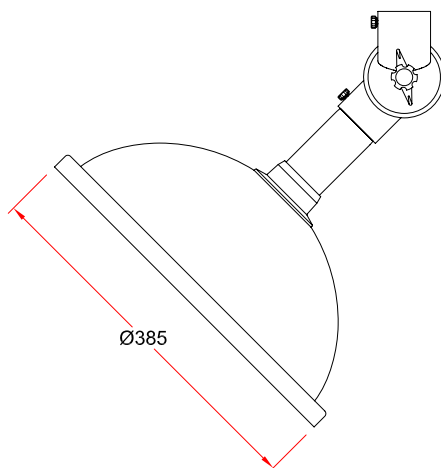


Capture efficiency

The relatively low efficiency indicates, that the illustrated position is not optimal for this hood. For system 100 other measurements have been made for a similar round hood - see article no. [1-10050](#).



Drawing



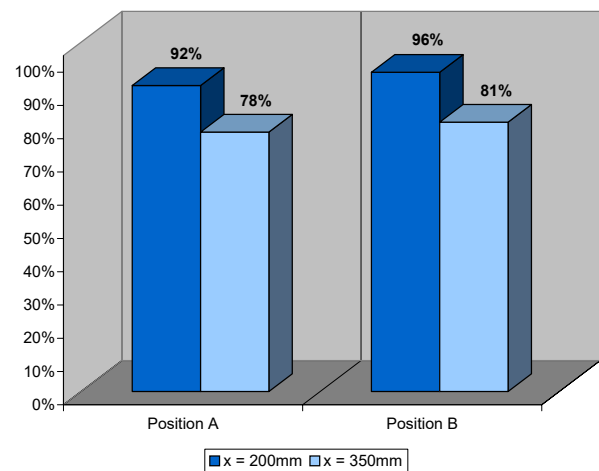
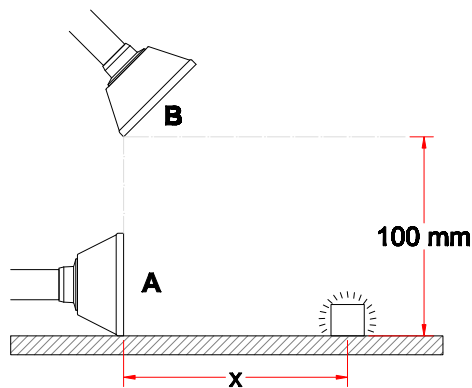


System 50 - Aluminium (AL)

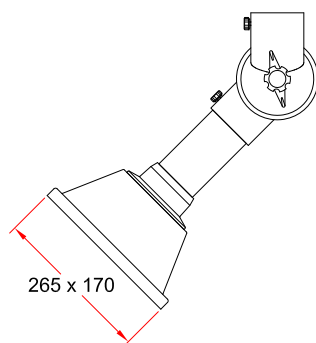
- Square hood recommended when extracting light fumes, gases and small open vessels
- Dimension of hood: 265 x 170 mm
- Increased stability when moving the hood due to reinforced rim of the hood
- Increased efficiency when placed vertically on a surface
- Hood made of transparent PETG, resistant to solvents
- Connection tube made of anodized aluminium - surface 10 μ
- The transparent hood assists in keeping a good view of the work process
- Colours of flange available: white (-5), red (-4) and black (-050)



Capture efficiency



Drawing



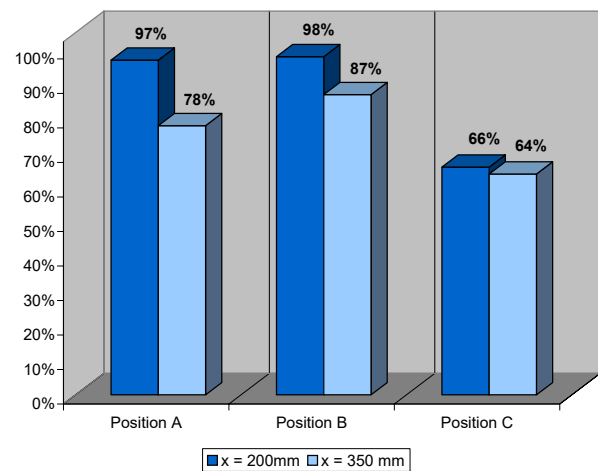
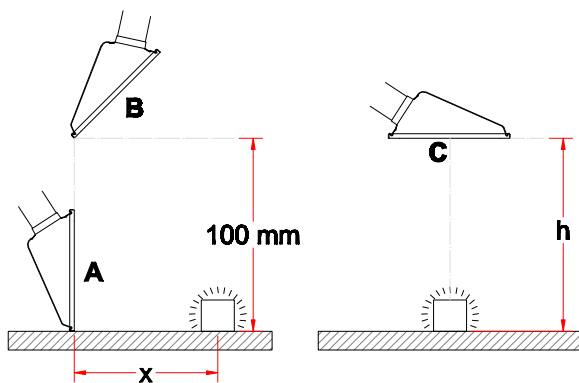


System 50 - Aluminium (AL)

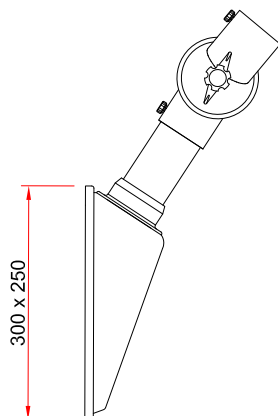
- Square hood recommended when extracting light and heavy fumes and gases
- Dimension of hood: 300 x 250 mm
- Increased stability when moving the hood due to reinforced rim of the hood
- Increased efficiency when placed vertically on a surface
- Hood made of transparent PETG, resistant to solvents
- Connection tube made of anodized aluminium - surface 10 μ
- The transparent hood assists in keeping a good view of the work process
- Colours of flange available: white (-5), red (-4) or black (-050)



Capture efficiency



Drawing



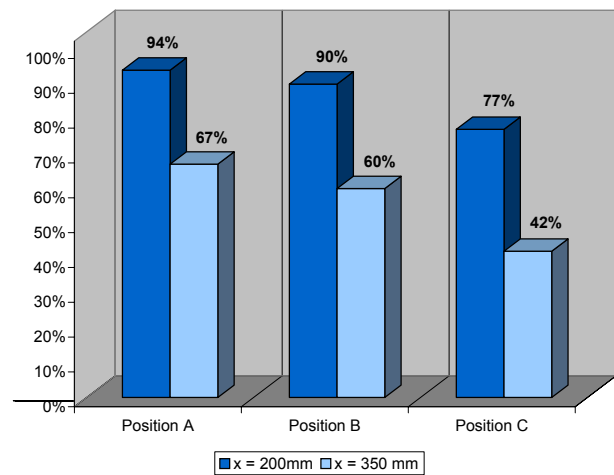
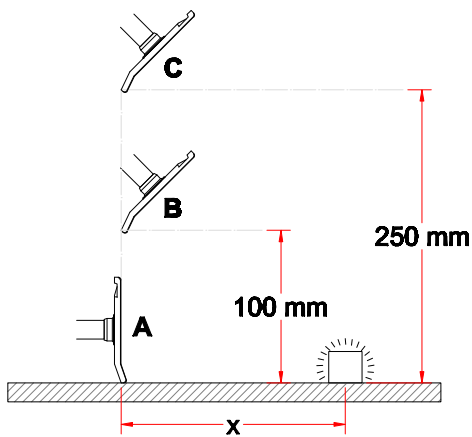


System 50 - Aluminium (AL)

- Flat hood recommended when extracting heavy gases and fumes
- Dimension of the hood: 330x240 mm
- Increased efficiency when placed vertically on a surface
- Hood made of transparent PETG, resistant to solvents
- Connection tube made of anodized aluminium - surface 10 μ
- Gets close to the source without obstructing the work process
- Colours of flange available: white (-5), red (-4) or black (-050)



Capture efficiency



Drawing

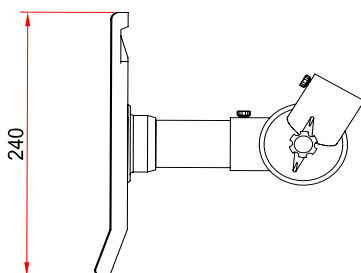


Table bracket 2-5010

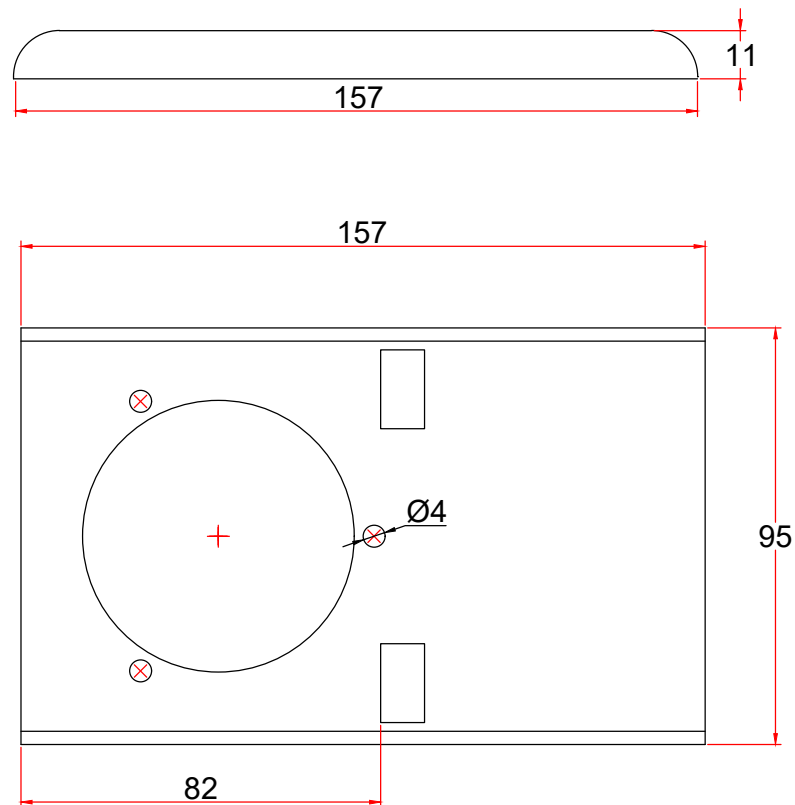


System 50 - Aluminium (AL)

- Table bracket to mount extraction arms for table mounting at the edge of the table
- Easily removable without tools for mobile installations
- Made of steel with a polyester powder-coating on all surfaces
- Colours available: white (-) and black (-050)



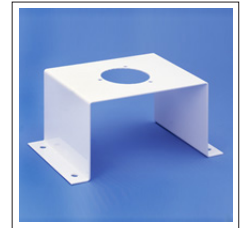
Drawing



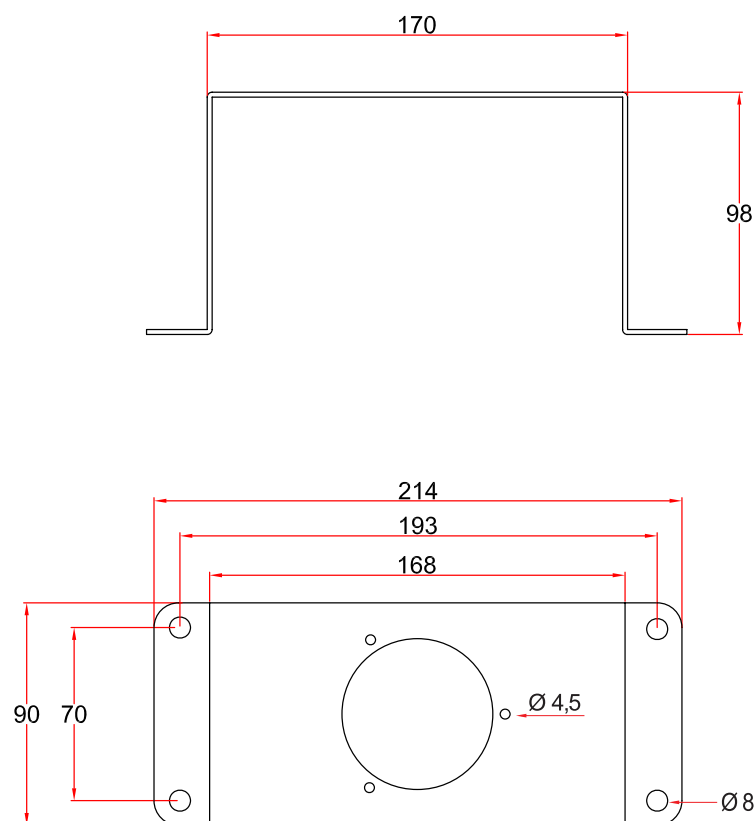


System 50 - Aluminium (AL)

- Bracket/U-profile to support the socket pipe of long extraction arms for table mounting
- Made of steel with a polyester powder-coating on all surfaces
- Colour available: white



Drawing





System 50 - Aluminium (AL)

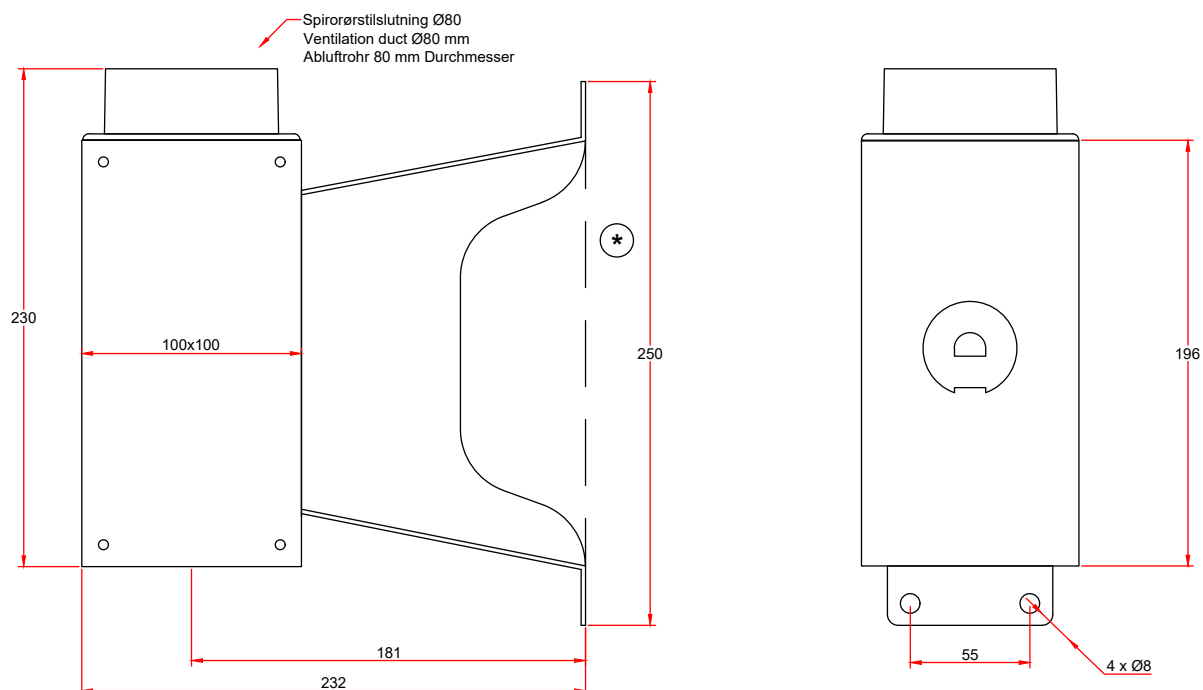
- Bracket to mount extraction arms for wall mounting to the wall
- Made of steel with a polyester powder-coating on all surfaces
- Connection to ventilation duct:
 - Direct connection with a duct Ø80 mm
 - Connection with reducer 4-10075 to Ø100 duct
 - Connection with our Ø75 aluminium pipe in the length needed, when a stylish installation is required

- Colours available: white (-) or black (-050)



*) Also available with closed sides for areas with special requirements of cleaning.
Article no. 2-195-10-5

Drawing



*) Closed sides for areas with special requirements of cleaning.

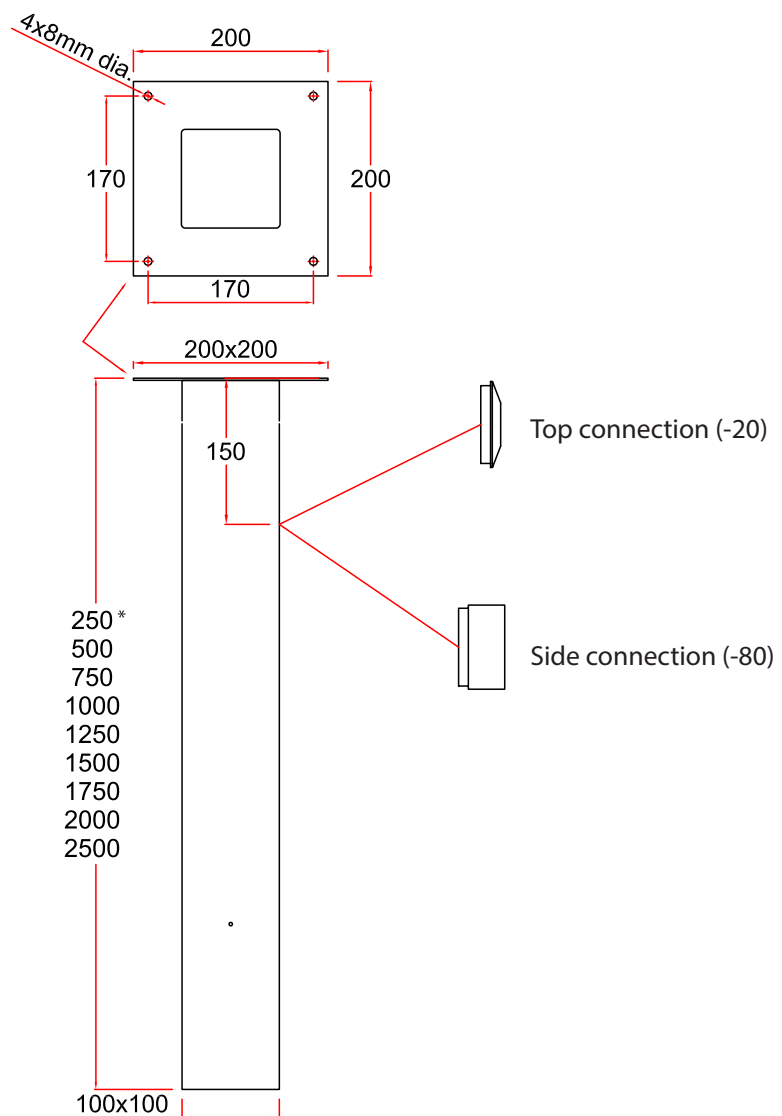


System 50 - Aluminium (AL)

- Ceiling columns to mount extraction arms for ceiling mounting to the ceiling
- Strong construction made of steel
- Increased durability due to polyester powder-coating on all surfaces
- Available with top connection (-20) or side connection Ø80 mm (-80)
- Colours available: white (-) or black (-050)
- Dimension: 100x100 mm
- Lengths: 250 - 2500 mm



Drawing



*)
Only for socket pipe with hole
(side connection).
Hole to be made by installer.

250*
500
750
1000
1250
1500
1750
2000
2500

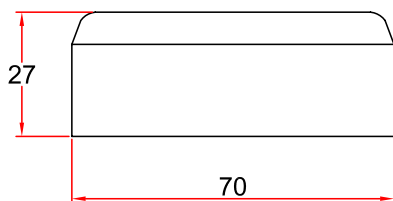


System 50 - Aluminium (AL)

- Reducer to connect extraction arm and ventilating duct
- Reduces $\text{Ø}63$ - $\text{Ø}50$
- Made of polypropylene (PP)
- Colour: White (-) or black (-6)



Drawing



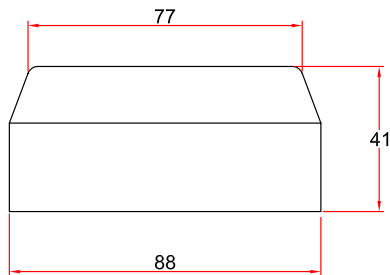


System 50 - Aluminium (AL)

- Reducer to connect extraction arm and ventilating duct
- Reduces Ø80 - Ø50
- Made of polypropylene (PP)
- Colour: White (-) or black (-6)



Drawing



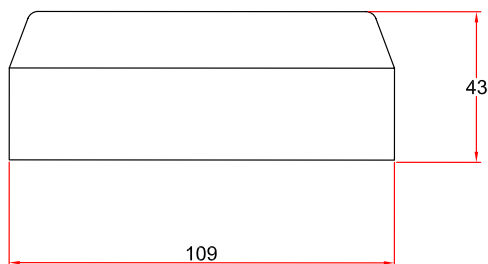


System 50 - Aluminium (AL)

- Reducer to connect wall bracket to ventilating duct Ø100 mm
- Reduces Ø100 - Ø75
- Made of polypropylene (PP)
- Colour: White



Drawing

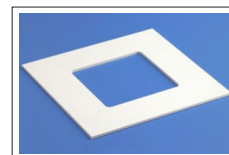


Cover flange 4-200-200



System 50 - 63 - 75 - Aluminium (AL)

- Cover flange to mount on false ceiling.
Hides the carrying of the ceiling column through the false ceiling
- Dimensions: 200 x 200 mm
- Material: polystyrene
- Fasten with glue or small screws
- Colour: white



Drawing

For this product there is no drawing.

Support bracket 2-75-5

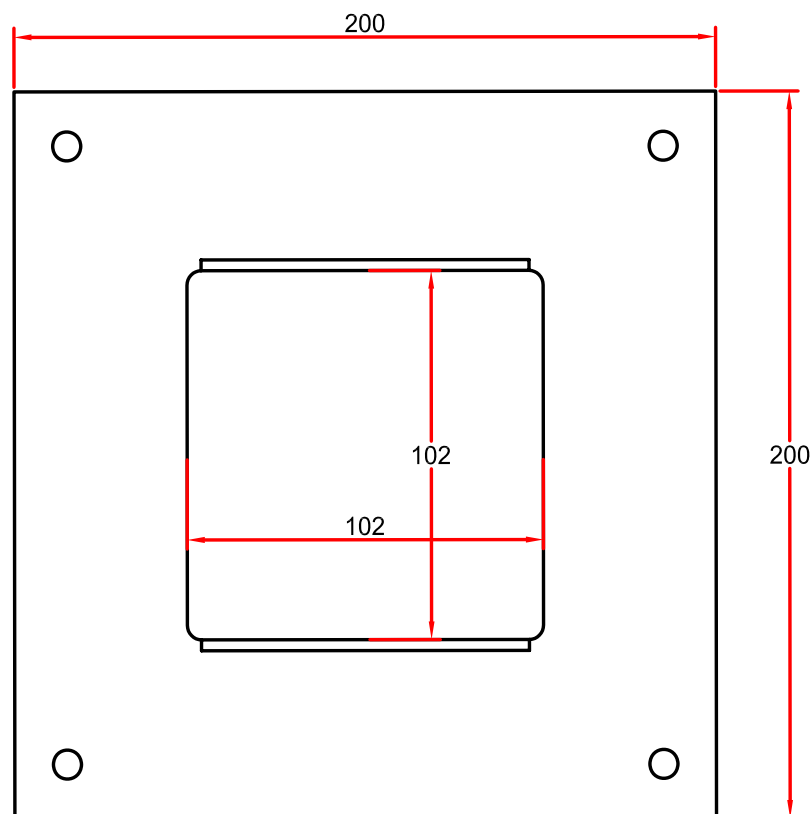


System 50 - Aluminium (AL)

- For extra support of long ceiling columns when mounted to ceiling racks or with wires to the deck
- Made of steel with a polyester powder-coating on all surfaces
- Dimensions: 200 x 200 mm
- Colour: white



Drawing





System 50 - Aluminium (AL)

- Protective netting to be placed in the hood
- Protects against extraction of foreign objects
- Polypropylene (PP)
- Colour available: white



Drawing

