



## System 63 - Chemical resistant (PP)

### Extraction arms

<a href="#">Table mounting</a> .....	63 PP 2
<a href="#">Wall and ceiling mounting</a> .....	63 PP 3

### Hoods

<a href="#">Suction pen 1-6325-7-5</a> .....	63 PP 4
<a href="#">Round hood 1-6328-5</a> .....	63 PP 5
<a href="#">Square hood 1-632422-5</a> .....	63 PP 6
<a href="#">Round hood 1-6335-5</a> .....	63 PP 7
<a href="#">Round hood 1-6335-7-5</a> .....	63 PP 8
<a href="#">Flat hood 1-633324-5</a> .....	63 PP 9
<a href="#">Flat hood 1-633324-7-5</a> .....	63 PP 10

### Brackets

<a href="#">Table bracket 2-6310</a> .....	63 PP 11
<a href="#">Wall bracket 2-195</a> .....	63 PP 12
<a href="#">Ceiling columns</a> .....	63 PP 13

### Accessories

<a href="#">Reducer 4-8063-5</a> .....	63 PP 14
<a href="#">Reducer 4-10063-5</a> .....	63 PP 15
<a href="#">Reducer 4-10075</a> .....	63 PP 16
<a href="#">Cover flange 4-200-200</a> .....	63 PP 17
<a href="#">Support bracket 2-75-5</a> .....	63 PP 18



## System 63 - Chemical resistant (PP)

All components RoHS-compatible.

### Design - extraction arm for mounting on table:

- Working range 530 - 1080 mm
- Recommended airflow 60 to 120 m<sup>3</sup>/h
- Diameter of tube Ø63 mm
- Joints with one-hand-operation
- Tubes made of chemical resistant polypropylene (PP)
- Joints made of shatterproof, chemical resistant polypropylene (PP)
- Colour of joints: white
- All O-rings maintenance free
- Integrated valve. When in an open position out of the flow path to maintain the maximum amount of flow
- All threaded stays, springs and thumbscrews made of acid-proof stainless steel (AISI 316L)
- All rivets made of chemical resistant polypropylene (PP) for increased durability in aggressive environments
- All hoods can be provided with a protective netting to reduce the risk of extracting foreign objects
- Dismantling of the sugearm without tools for cleaning



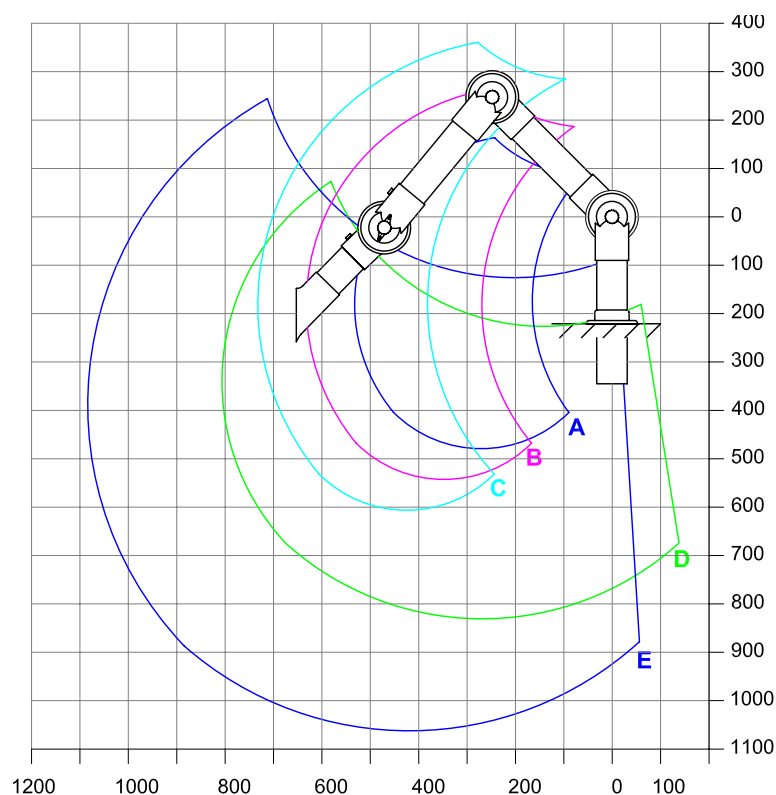
Links: [Pressure drop chart](#), [Mounting](#), [User's manual](#), [Capture efficiency](#), [Material compatibility](#)

## Working area

We do not recommend a stationary working position in the upper or lower working area

All units in mm

- A: Model 63-35-1-7-5
- B: Model: 63-45-1-7-5
- C: Model: 63-55-1-7-5
- D: Model: 63-3535-1-7-5
- E: Model: 63-5545-1-7-5





## System 63 - Chemical resistant (PP)

All components RoHS-compatible.

### Design - Extraction arm for mounting on wall or ceiling:

- Working range 760 - 1500 mm
- Recommended airflow 60 to 120 m<sup>3</sup>/h
- Diameter of tube Ø63 mm
- Joints with one-hand-operation
- Tubes made of chemical resistant polypropylene (PP)
- Joints made of shatterproof, chemical resistant polypropylene (PP)
- Colour of joints, white
- All O-rings maintenance free
- Integrated valve. When in an open position out of the flow path to maintain the maximum amount of flow
- All threaded stays, springs and thumbscrews made of acid-proof stainless steel (AISI 316L)
- All rivets made of chemical resistant polypropylene (PP) for increased durability in aggressive environments
- All hoods can be provided with a protective netting (accessory) to reduce the risk of extracting foreign objects
- Dismantling of the sugearm without tools for cleaning



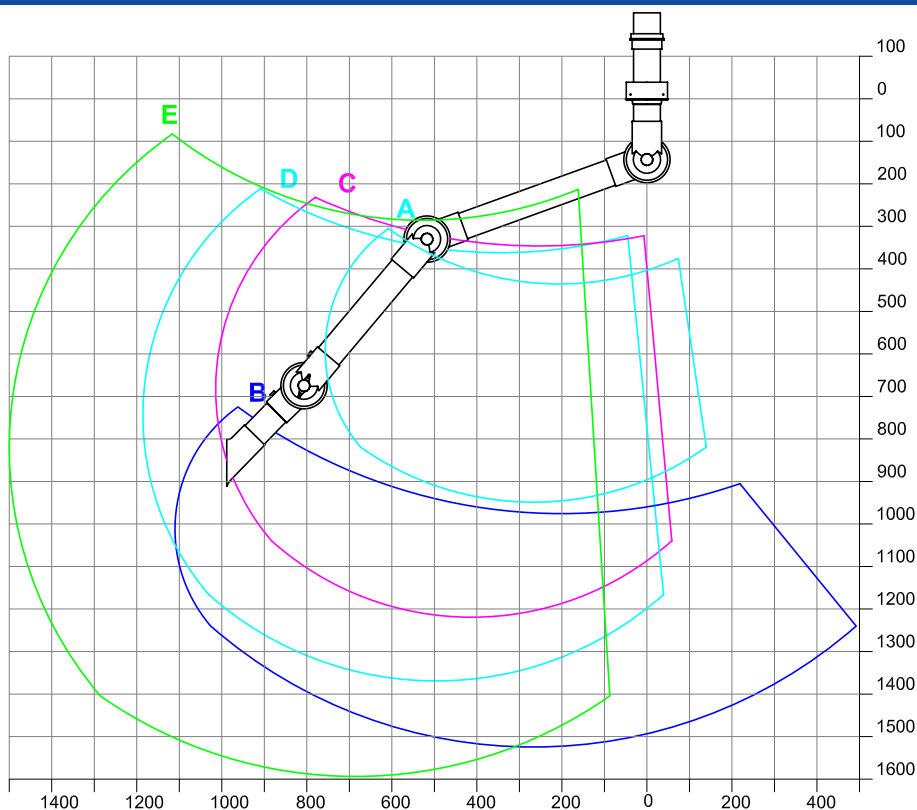
Links: [Pressure drop chart](#), [Mounting](#), [User's manual](#), [Capture efficiency](#), [Material compatibility](#)

## Working area

We do not recommend a stationary working position in the upper or lower working area

All units in mm

- A: Model: 63-3535-3-7-5
- B: Model: 63-3590-3-7-5
- C: Model: 63-5545-3-7-5
- D: Model: 63-6555-3-7-5
- E: Model: 63-9065-3-7-5



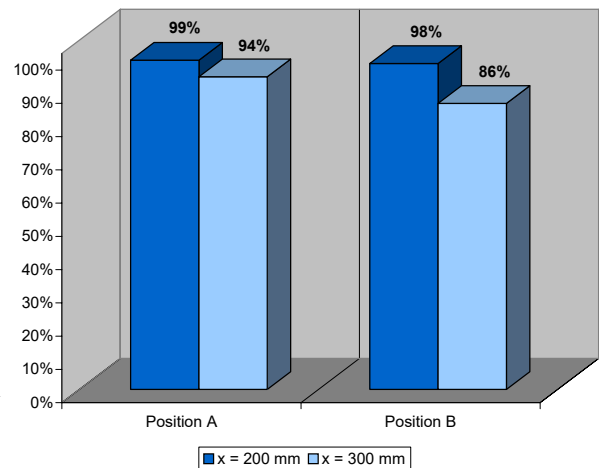
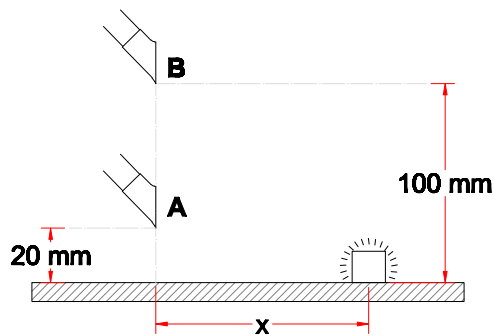


## System 63 - Chemical resistant (PP)

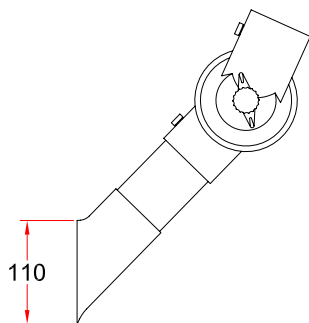
- Suction pen recommended for small concentrated sources of pollution
- High efficiency as the extractor tube gets close to the source without obstructing the work process
- Tube and tip made of chemical resistant polypropylene (PP)
- Funnel of the tube in order to increase the capture efficiency
- Length: 250 mm
- Colour: white



## Capture efficiency



## Drawing



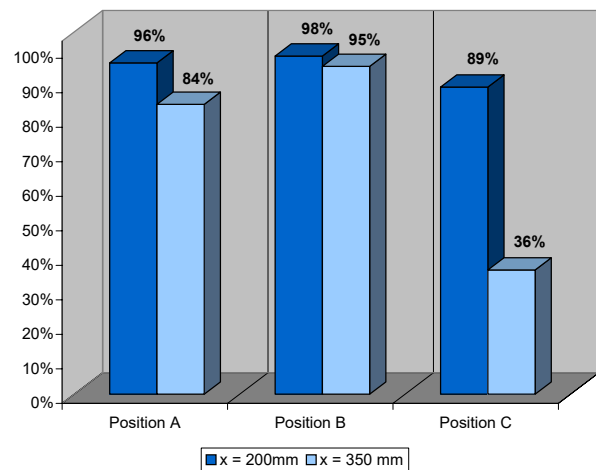
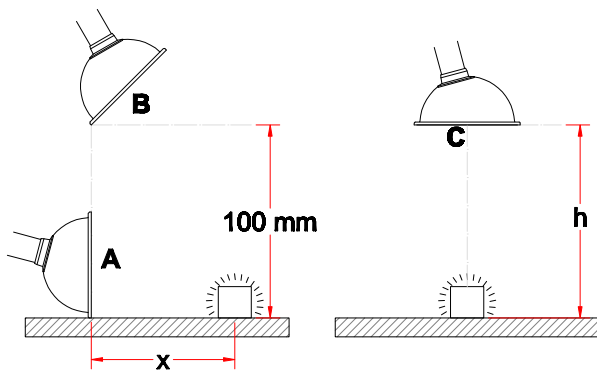


## System 63 - Chemical resistant (PP)

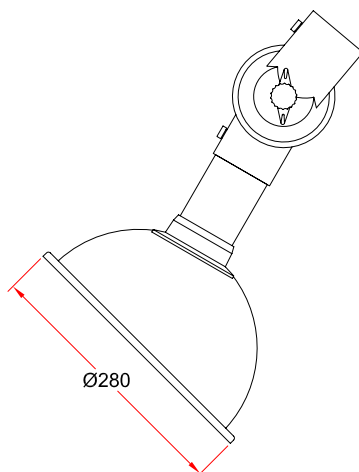
- Round hood recommended for light fumes, gases and over small open vessels
- Diameter of hood:  $\varnothing 280$  mm
- Increased stability when moving the hood due to reinforced rim of the hood
- Hood made of transparent PETG, resistant to solvents
- Connection tube made of chemical resistant polypropylene (PP)
- The transparent hood assists in keeping a good view of the workpiece



## Capture efficiency



## Drawing





## System 63 - Chemical resistant (PP)

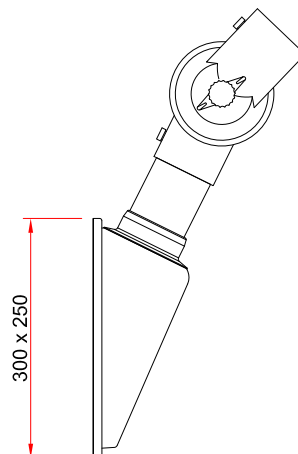
- Square hood recommended when extracting light and heavy fumes and gases
- Dimension of the hood: 300 x 250 mm
- Increased capture efficiency when placed vertically on a surface
- Increased stability when moving the hood due to reinforced rim of the hood
- Hood made of transparent PETG, resistant to solvents
- Flange and connecting tube made of chemical resistant polypropylene (PP)
- The transparent hood assists in keeping a good view of the workpiece



## Capture efficiency

Measurements for this product are comparable with article no. [1-502422](#)

## Drawing





## System 63 - Chemical resistant (PP)

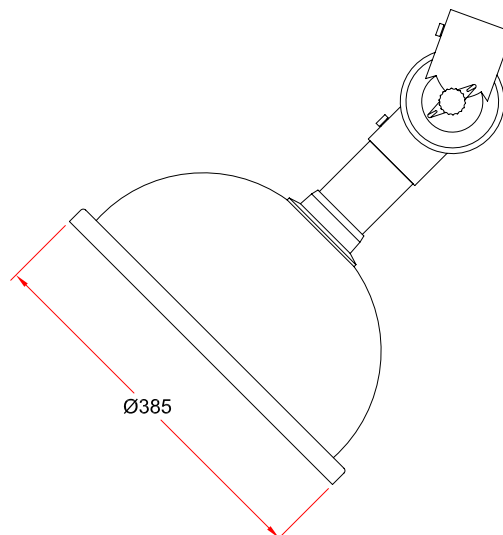
- Round hood recommended for light fumes, gases and over open vessels
- Diameter of hood: Ø385 mm
- Increased efficiency at an angled position
- Hood made of transparent PETG, resistant to solvents
- Flange and connection tube made of chemical resistant polypropylene (PP)
- The transparent hood assists in keeping a good view of the workpiece



## Capture efficiency

Measurements for this product are comparable with article no. [1-10050](#)

## Drawing





## System 63 - Chemical resistant (PP)

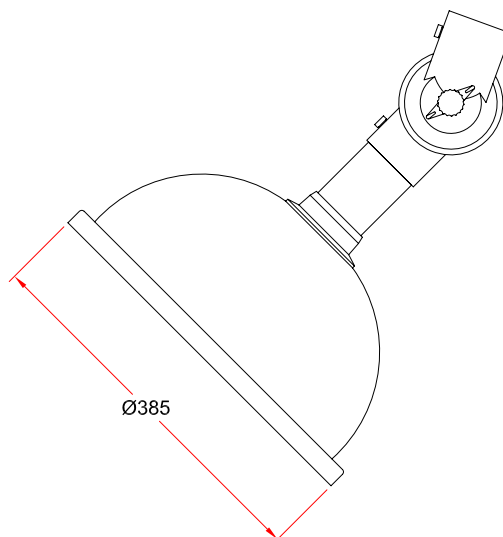
- Round hood recommended for light fumes, gases and over open vessels
- Diameter of hood: Ø385 mm
- Increased stability when moving the hood due to reinforced rim of the hood
- Hood, flange and connection tube made of chemical resistant polypropylene (PP)



## Capture efficiency

Measurements for this product are comparable with article no. [1-7535](#).

## Drawing





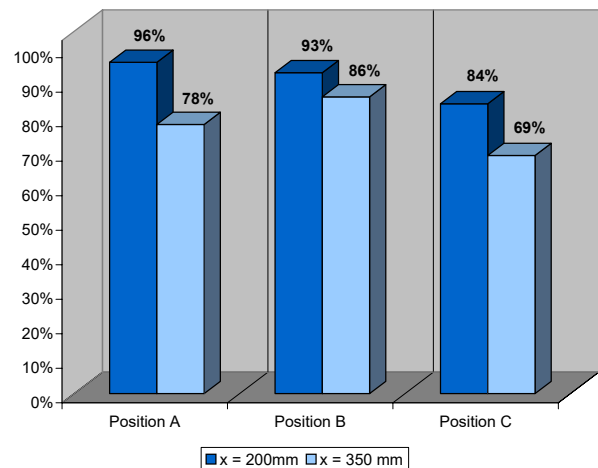
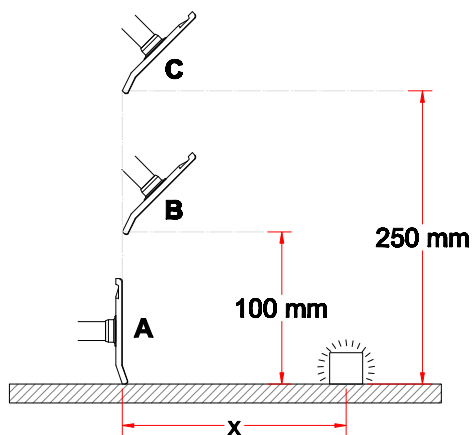


## System 63 - Chemical resistant (PP)

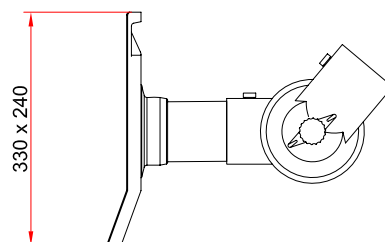
- Flat screen recommended when extracting heavy fumes and gasses
- Dimension of the hood: 330x240 mm
- Increased capture efficiency when placed vertically on a surface
- Hood made of transparent PETG resistant to solvents
- Flange and connection tube made of chemical resistant polypropylene (PP)
- Gets close to the source without obstructing the work process



## Capture efficiency



## Drawing



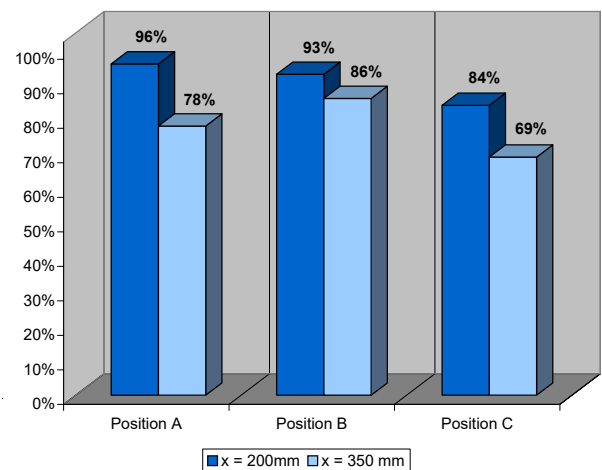
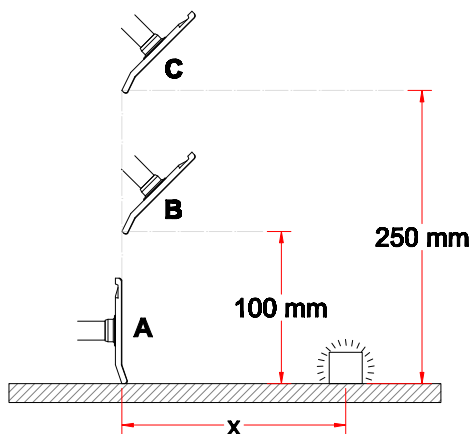


## System 63 - Chemical resistant (PP)

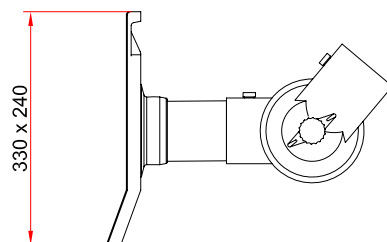
- Flat screen recommended when extracting heavy fumes and gasses
- Dimension of the hood: 330x240 mm
- Increased capture efficiency when placed vertically on a surface
- Hood, flange and connection tube made of chemical resistant polypropylene (PP)
- Gets close to the source without obstructing the work process



## Capture efficiency



## Drawing



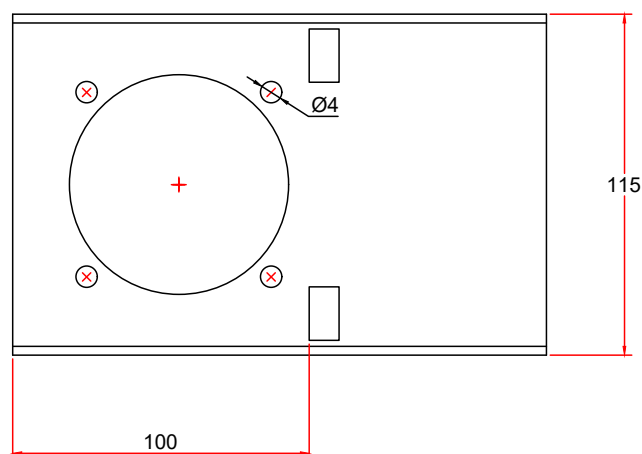
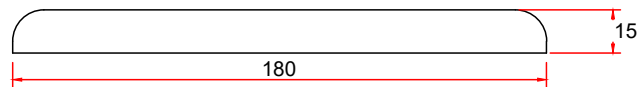


## System 63 - Chemical resistant (PP)

- Table bracket to mount extraction sugearms for table mounting at the edge of the table
- Easily removable without tools for mobile installations
- Made of steel with a polyester powder-coating on all surfaces
- Colour: white



## Drawing





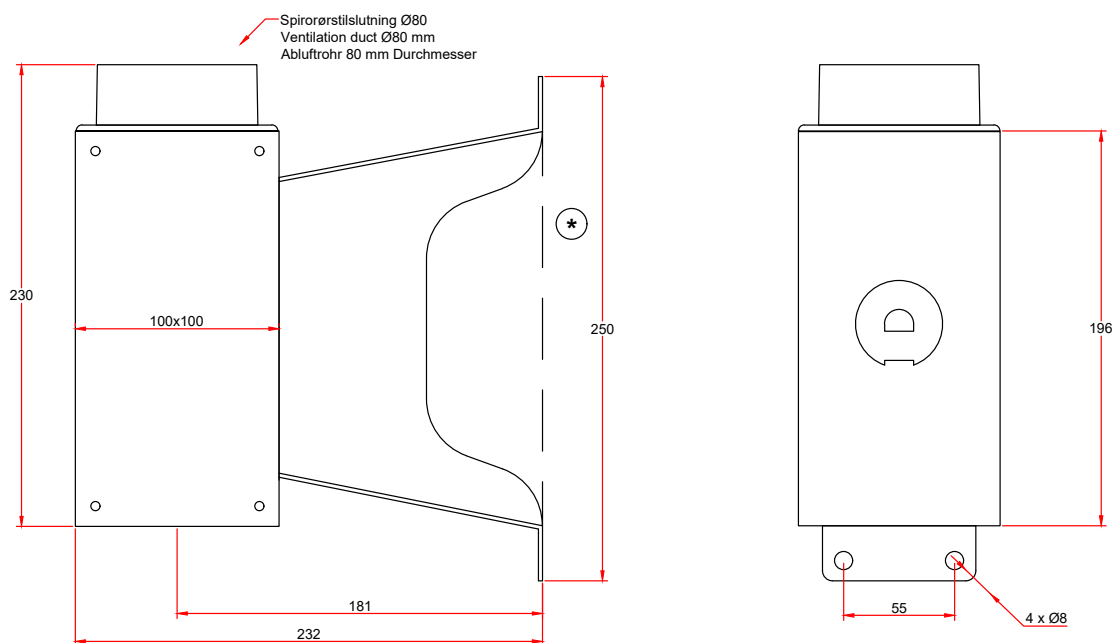
## System 63 - Chemical resistant (PP)

- Bracket to mount extraction sugearms for wall mounting to the wall
- Made of steel with a polyester powder-coating on all surfaces
- Connection to ventilation duct:
  - Direct connection with a duct Ø80 mm
  - Connection with reducer 4-10075 to Ø100 duct
  - Connection with our Ø75 aluminium pipe in the length needed, when a stylish installation is required
- Colours available: white (-) or black (-050)



\*) Also available with closed sides for areas with special requirements of cleaning.  
Article no. 2-195-10-5

## Drawing

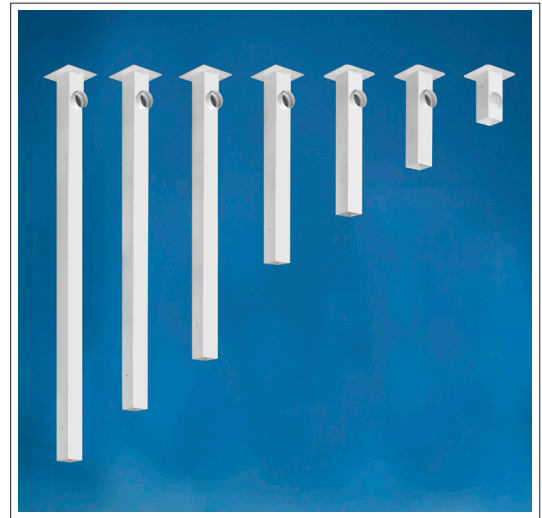


\*) Closed sides for areas with special requirements of cleaning.

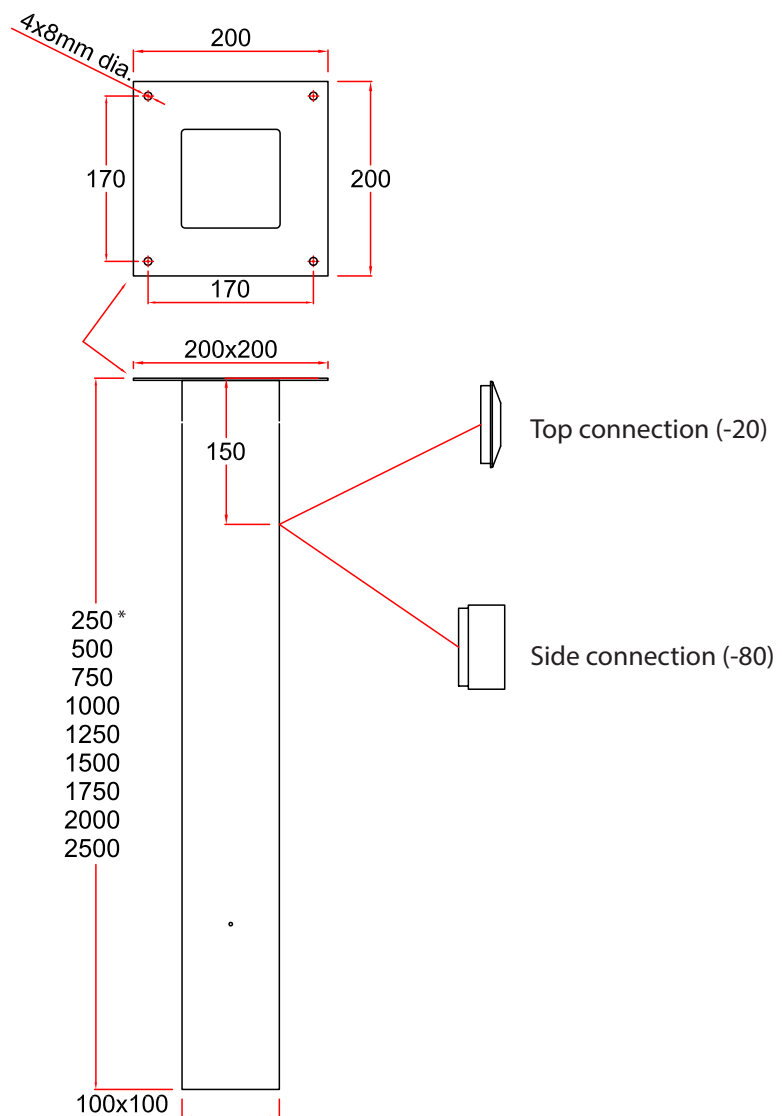


## System 63 - Chemical resistant (PP)

- Ceiling columns to mount extraction sugearms for ceiling mounting to the ceiling
- Strong construction made of steel
- Increased durability due to polyester powder-coating on all surfaces
- Available with top connection (-20) or side connection Ø80 mm (-80)
- Colours available: white
- Dimension: 100x100 mm
- Lengths: 250 - 2500 mm



## Drawing



\*)  
Only for socket pipe with hole  
(side connection).  
Hole to be made by installer.

250\*  
500  
750  
1000  
1250  
1500  
1750  
2000  
2500

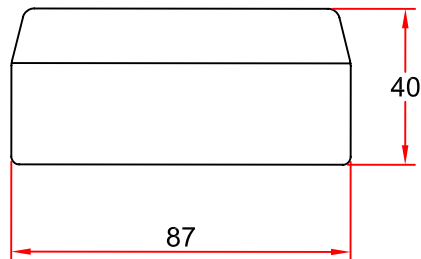


## System 63 - Chemical resistant (PP)

- Reducer to connect extraction sugearm for table mounting and ventilating duct
- Reduces from Ø80 - Ø63
- Made of polypropylene (PP)
- Colour: white



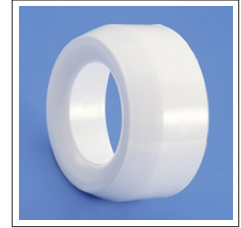
## Drawing



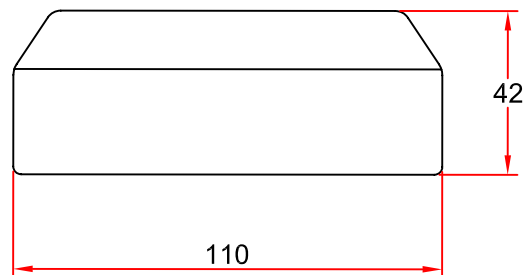


## System 63 - Chemical resistant (PP)

- Reducer to connect extraction sugearm for table mounting and ventilating duct
- Reduces from Ø100 - Ø63
- Made of polypropylene (PP)
- Colour: white



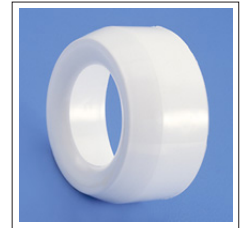
## Drawing



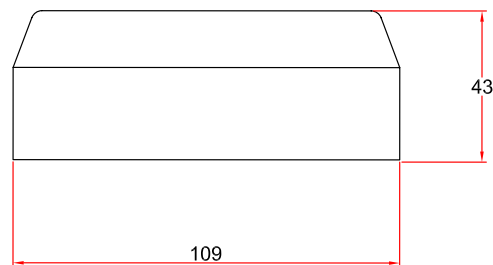


## System 63 - Chemical resistant (PP)

- Reducer to connect wall bracket to ventilating duct Ø100 mm
- Reduces Ø100 - Ø75
- Made of polypropylene (PP)
- Colour: white



## Drawing

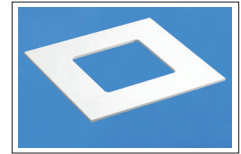






## System 63 - Chemical resistant (PP)

- Cover flange to mount on false ceiling. Hides the carrying of the ceiling column through the false ceiling
- Dimensions: 200 x 200 mm
- Material: polystyrene
- Fasten with glue or small screws
- Colour: white



## Drawing

For this product there is no drawing

# Support bracket 2-75-5



## System 63 - Chemical resistant (PP)

- For extra support of long ceiling columns when mounted to ceiling racks or with wires to the deck
- Made of steel with a polyester powder-coating on all surfaces
- Colour: white
- Dimensions: 200 x 200 mm



## Drawing

