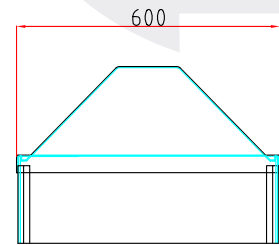
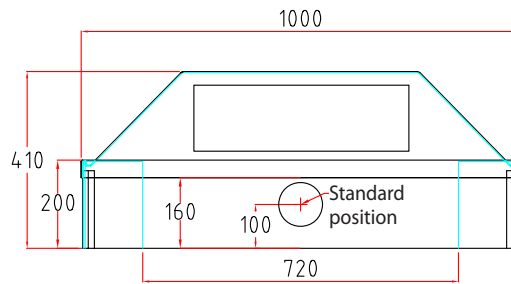


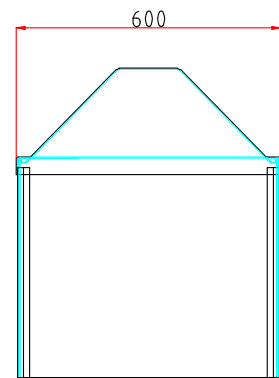
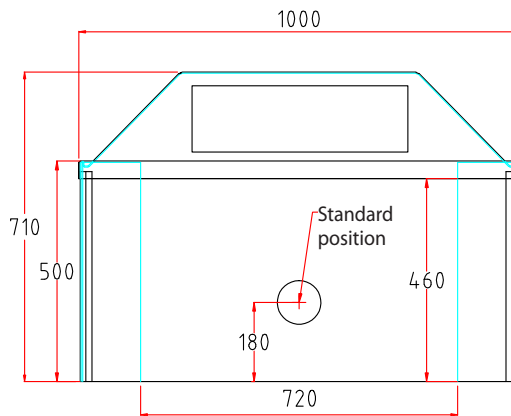
# System 25 – Type 1

## STANDARD POSITION OF FLANGE

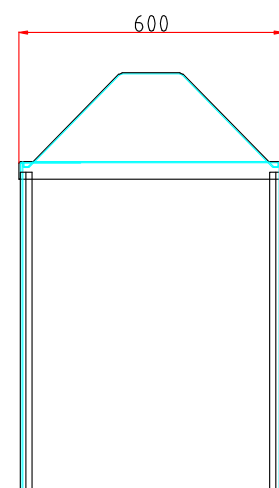
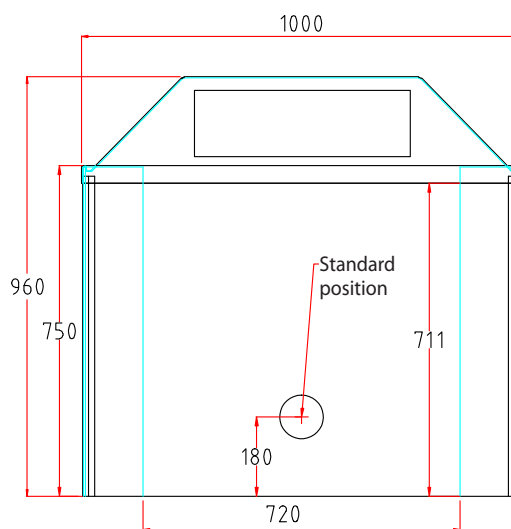
Small



Medium



Large



All dimensions in mm

Customised position of flange >>

## System 25 – Type 1

### CUSTOMISED POSITION OF FLANGE

When ordering please state flange size and position

NB! Top flange: max  $\varnothing$ 100 mm

