

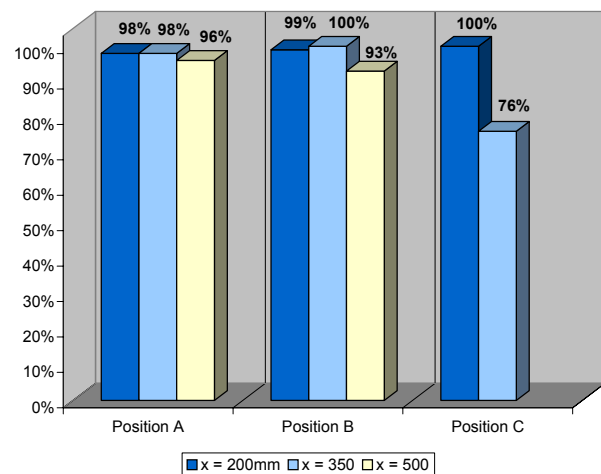
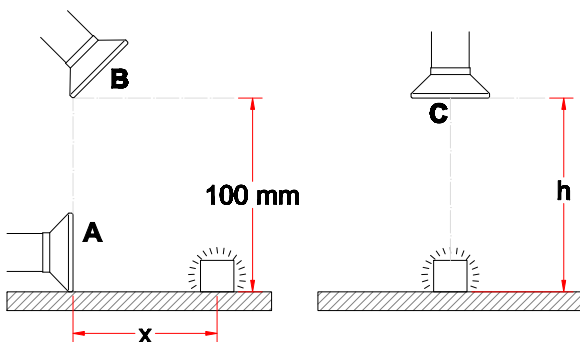


## System 100 - Antistatic (AS)

- Metal hood recommended when extracting hot gases, fumes, light dust concentrations etc.
- Diameter of hood:  $\varnothing 200$  mm
- Hood made of chromated (TCP) aluminium to assure permanent conductivity
- Connecting tube and flange made of conductive, chemical resistant polypropylene (PP)



## Capture efficiency



## Drawing

