



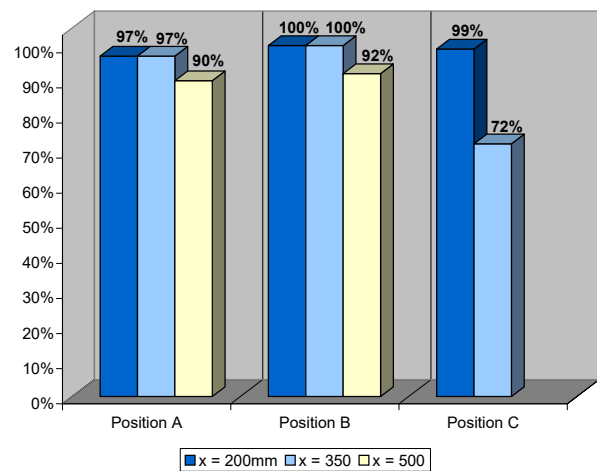
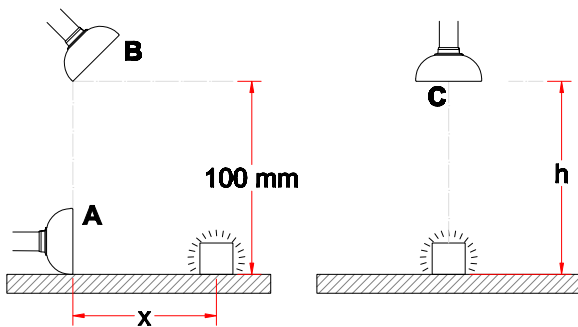
## System 100 - Antistatic (AS)

- Metal hood recommended when extracting hot gases, fumes, light dust concentrations etc.
- Diameter of hood: Ø350 mm
- Increased efficiency at an angled position
- Hood made of chromated (TCP) aluminium to assure permanent conductivity
- Flange and connection tube made of conductive, shatterproof and chemical resistant polypropylene (PP)



**NB! THE HOOD IS DISCONTINUED**

## Capture efficiency



## Drawing

