

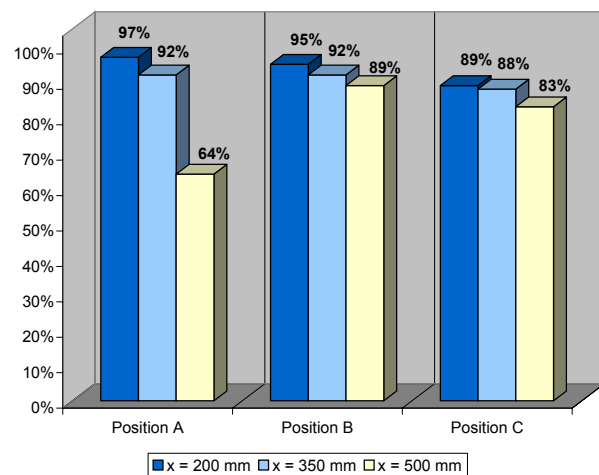
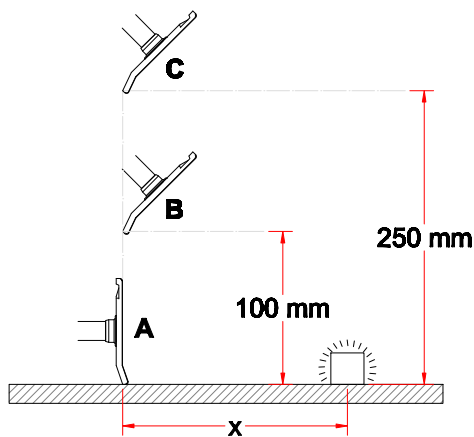


System 100 - Aluminium (AL)

- Flat screen recommended when extracting heavy gases and fumes
- Dimension of the hood: 420x280 mm
- Increased efficiency when placed vertically on a surface
- Hood made of transparent PETG, resistant to solvents
- Connection tube made of anodized aluminium - surface 10 µ
- The transparent hood assists in keeping a good view of the work place



Capture efficiency



Drawing

