

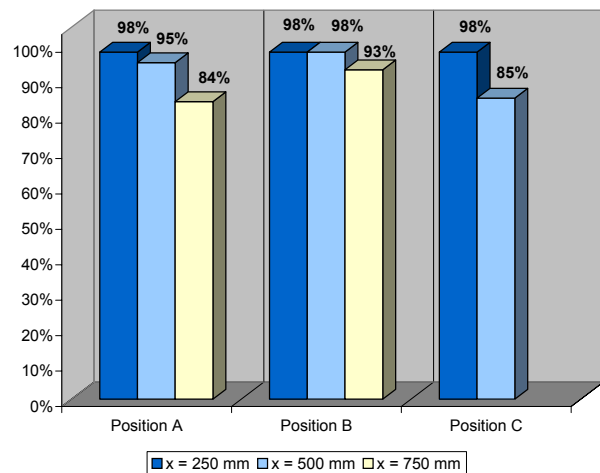
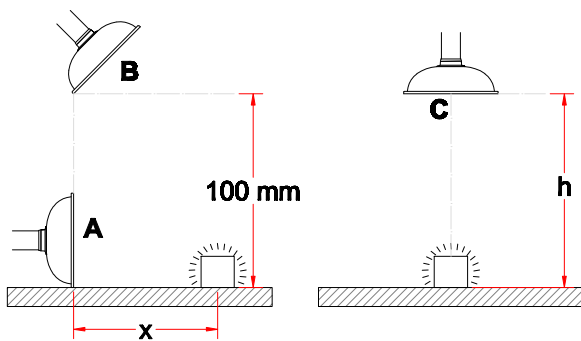


System 100 - Antistatic (AS)

- Round hood recommended for light fumes, gases and over open vessels
- Diameter of hood: $\varnothing 500$ mm
- Increased stability when moving the hood due to reinforced rim of the hood
- Increased efficiency at an angled position
- Hood, connection tube and flange made of conductive chemical resistant polypropylene (PP)



Capture efficiency



Drawing

