

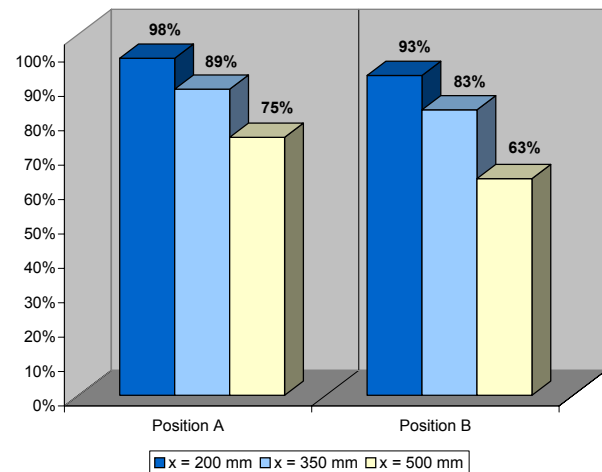
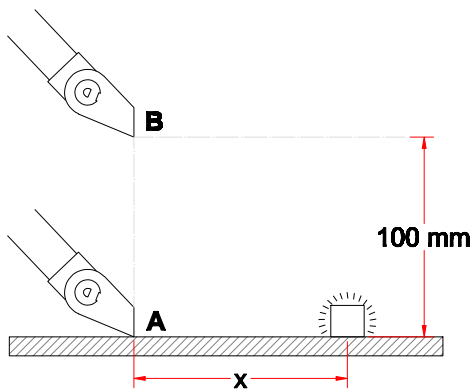


System 50 - Antistatic (AS)

- Suction nozzle recommended for concentrated sources of pollution
- Width: 200 mm
- Tube and nozzle made of chromated TCP Aluminium to assure permanent conductivity and shatterproof, conductive polypropylene (PP)
- Internal distribution tube in order to increase the capture efficiency



Capture efficiency



Drawing

