

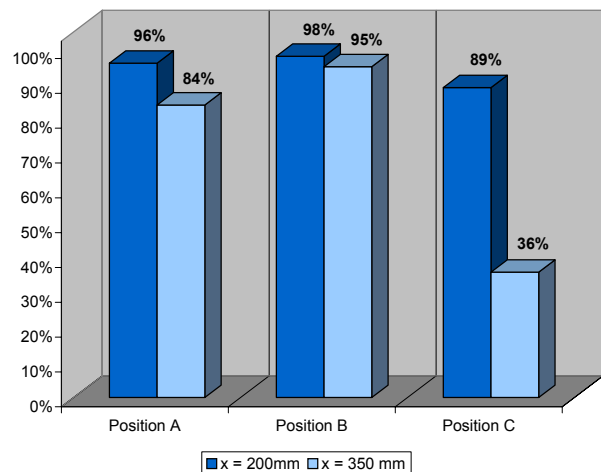
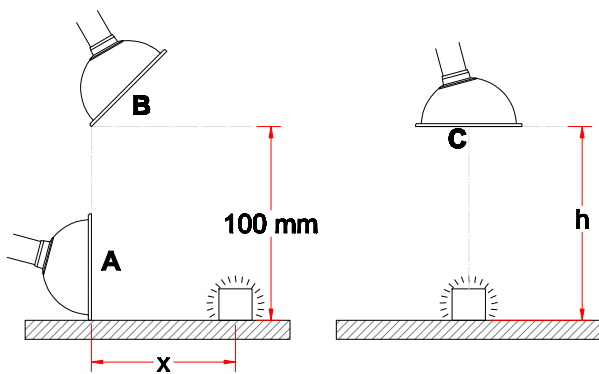


## System 63 - Chemical resistant (PP)

- Round hood recommended for light fumes, gases and over small open vessels
- Diameter of hood:  $\varnothing 280$  mm
- Increased stability when moving the hood due to reinforced rim of the hood
- Hood made of transparent PETG, resistant to solvents
- Connection tube made of chemical resistant polypropylene (PP)
- The transparent hood assists in keeping a good view of the workpiece



## Capture efficiency



## Drawing

