

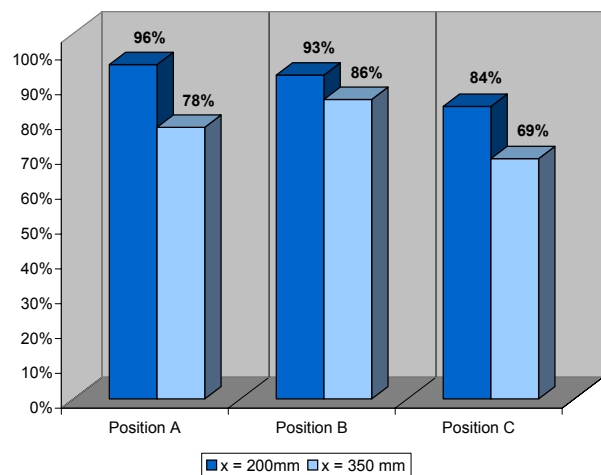
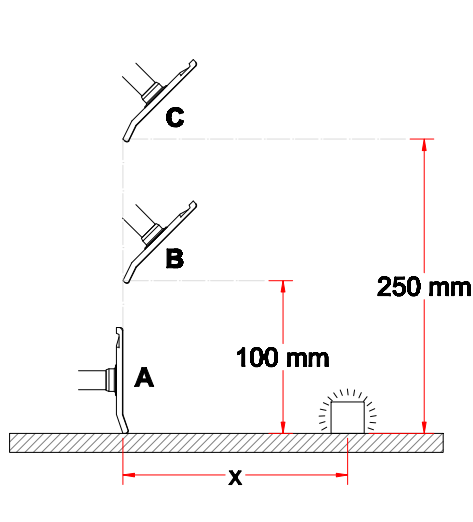


System 63 - Chemical resistant (PP)

- Flat screen recommended when extracting heavy fumes and gasses
- Dimension of the hood: 330x240 mm
- Increased capture efficiency when placed vertically on a surface
- Hood made of transparent PETG resistant to solvents
- Flange and connection tube made of chemical resistant polypropylene (PP)
- Gets close to the source without obstructing the work process



Capture efficiency



Drawing

