



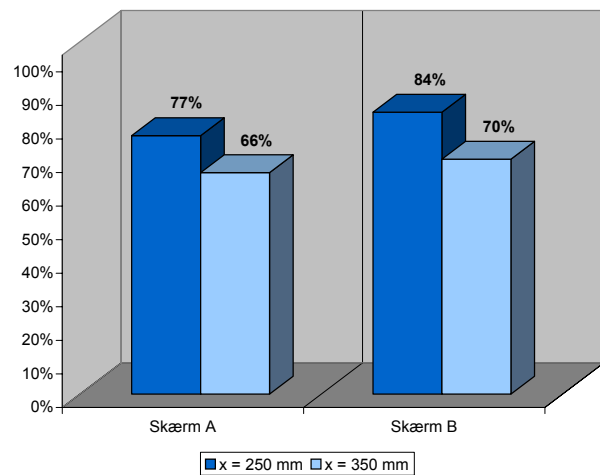
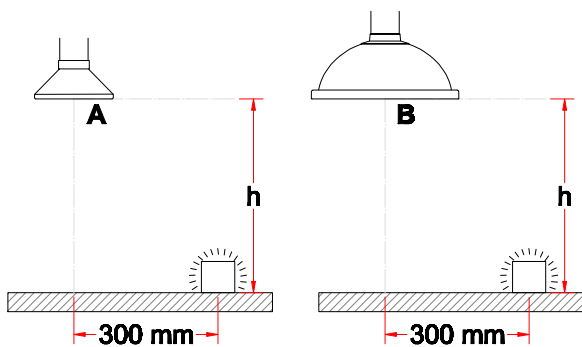
System 75 - Aluminium (AL)

- Metal hood recommended when extracting hot gases, fumes, light dust concentrations etc.
- Suitable for autoclaving
- Diameter of hood: $\varnothing 200$ mm
- Hood, flange and connection tube and flange made of anodized aluminium - surface 10μ



Capture efficiency

The relatively low efficiency indicates, that the illustrated position is not optimal for this hood. For system 100 other measurements have been made for a similar round hood - see article no. [1-10024](#).



Drawing

