

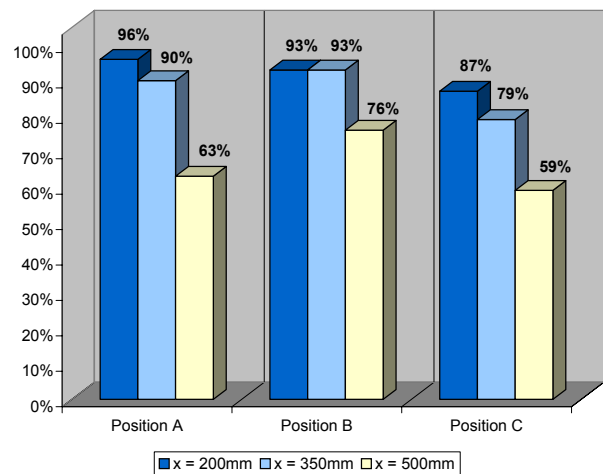
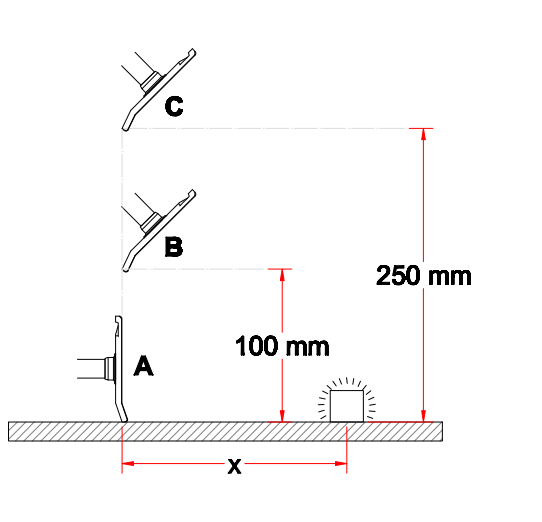


System 75 - Aluminium (AL)

- Flat hood recommended when extracting heavy gases and fumes
- Dimension of the hood: 330x240 mm
- Increased efficiency when placed vertically on a surface
- Hood made of transparent PETG, resistant to solvents
- Connection tube made of anodized aluminium - surface 10 μ
- The transparent hood assists in keeping a good view of the work place
- Colour of flange available: white (-5) or red (-4)



Capture efficiency



Drawing

