

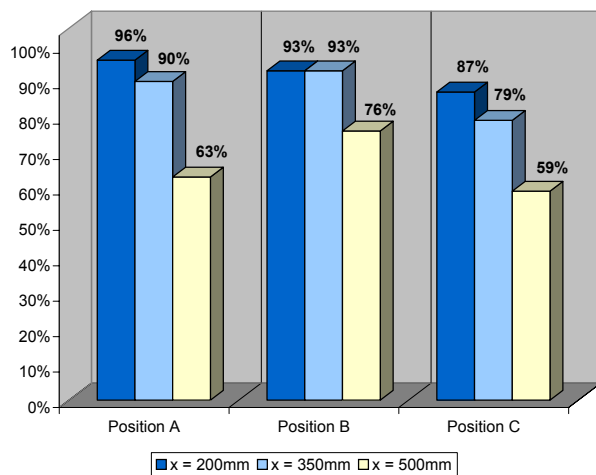
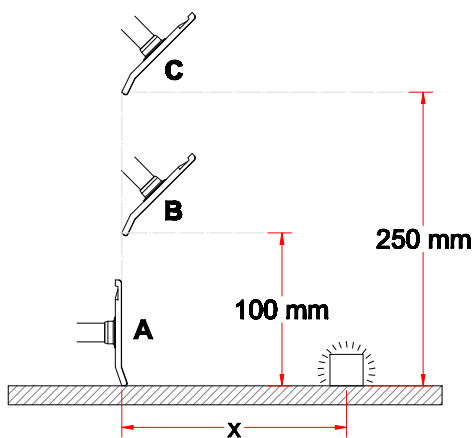


## System 75 - Antistatic (AS)

- Flat hood recommended when extracting heavy gases and fumes
- Dimension of the hood: 330x240 mm
- Increased efficiency when placed vertically on a surface
- Hood, connection tube and flange made of conductive, chemical resistant polypropylene (PP)



## Capture efficiency



## Drawing

