

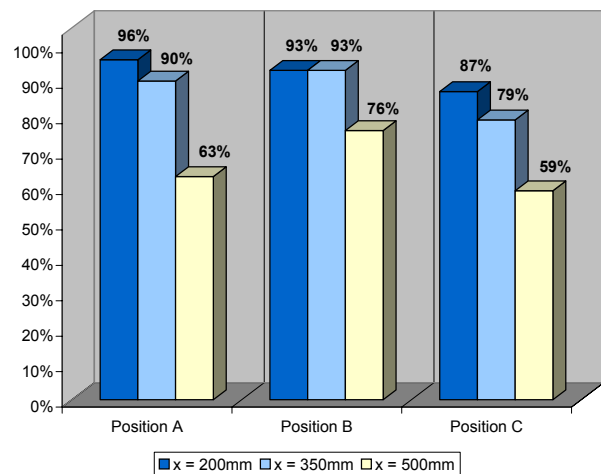
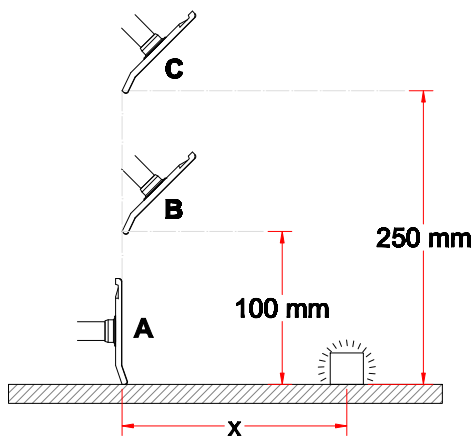


System 75 - Chemical resistant (PP)

- Flat hood recommended when extracting heavy gases and fumes
- Dimension of the hood: 330x240 mm
- InPPeased efficiency when placed vertically on a surface
- Hood, flange and connection tube made of chemical resistant polypropylene (PP)
- Colour of flange: white (-5) or red (-4)



Capture efficiency



Drawing

