



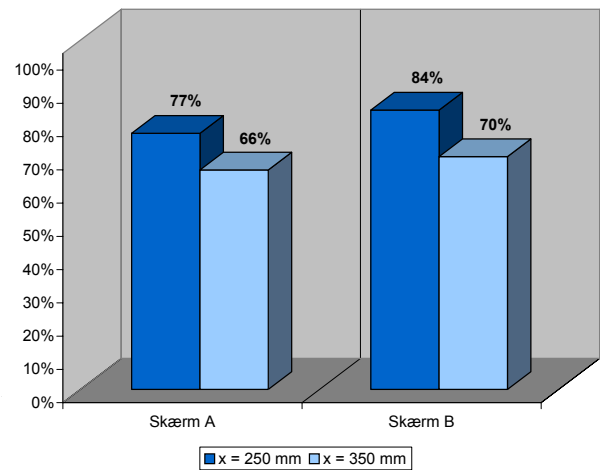
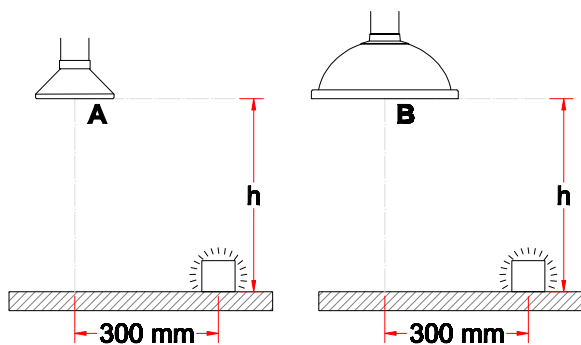
System 75 - Chemical resistant (PP)

- Round hood recommended for light fumes, gases and over small open vessels
- Diameter of hood: $\varnothing 385$ mm
- Increased stability when moving the hood due to reinforced rim of the hood
- Increased efficiency at an angled position
- Hood, flange and connection tube made of chemical resistant polypropylene (PP)
- Colours of flange: white (-5) or red (-4)



Capture efficiency

The relatively low efficiency indicates, that the illustrated position is not optimal for this hood. For system 100 other measurements have been made for a similar round hood - see article no. [1-10050](#).



Drawing

