

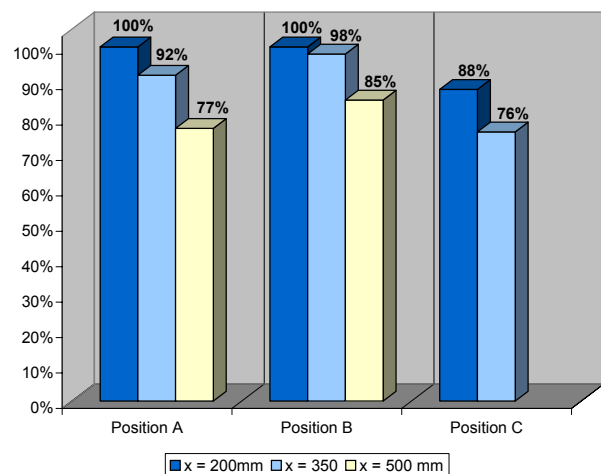
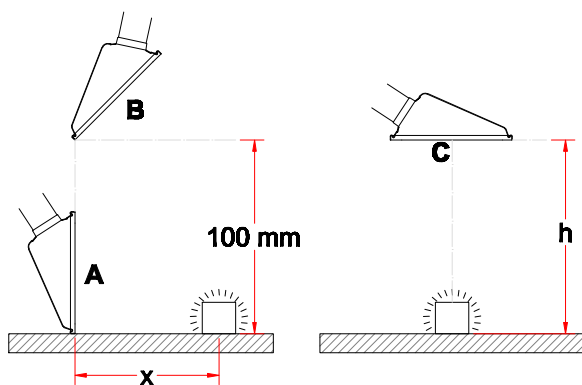


## System 75 - Chemical resistant (PP)

- Square hood recommended for light and heavy fumes and gases
- Dimension of the hood: 420x320 mm
- InPPeased stability when moving the hood due to reinforced rim of the hood
- InPPeased efficiency when placed vertically on a surface
- Hood, flange and connecting tube made of chemical resistant polypropylene (PP)
- Colours of flange: white (-5) or (-4)



## Capture efficiency



## Drawing

