



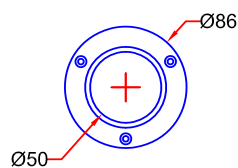
System 25

- Cabinet flanges to connect ventilating duct and work cabinet
- Diameter (muff coupling size), see drawing below
- Made of polypropylene (PP): white
- Mounting and position optional*

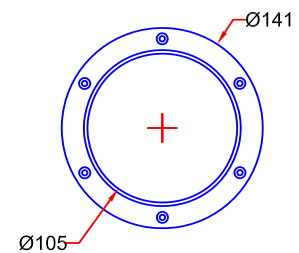
*) Flanges 4-125-13 and 4-160-13 are not as standard to be placed on the top surface of the cabinet.



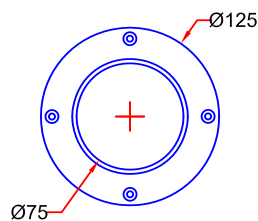
Model # 4-50-13



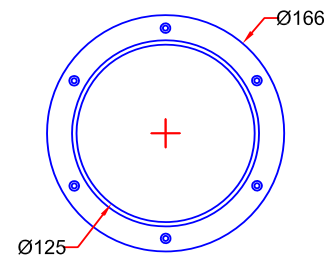
Model # 4-100-13
(Available in white only)



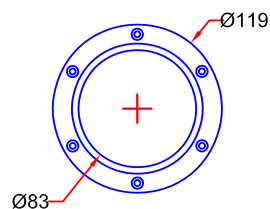
Model # 4-75-13



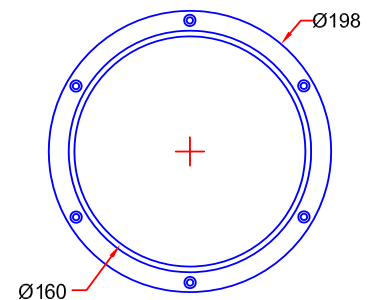
Model # 4-125-13



Model # 4-80-13



Model # 4-160-13



Model # 4-100-13

