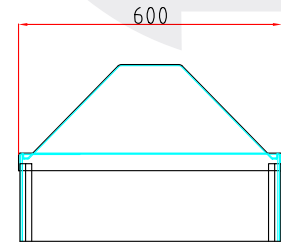
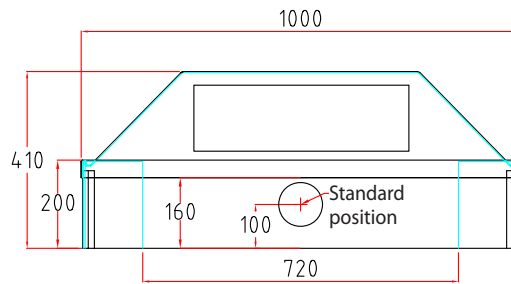


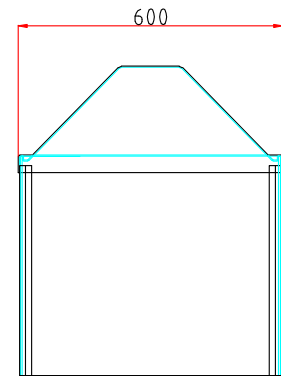
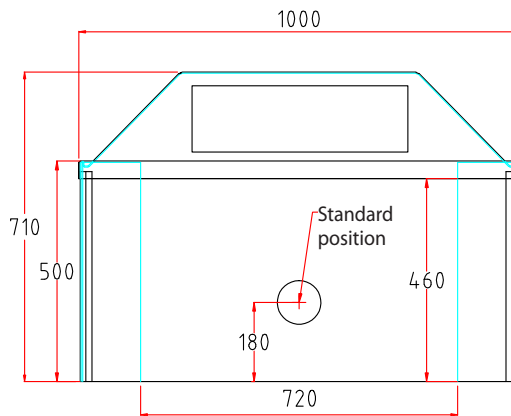
System 25 – Type 1

STANDARD POSITION OF FLANGE

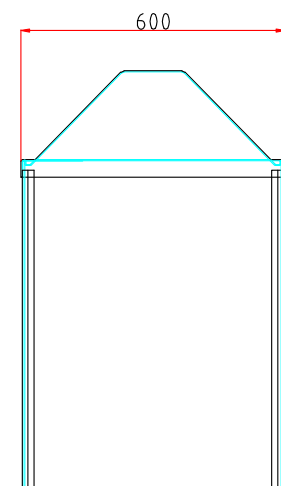
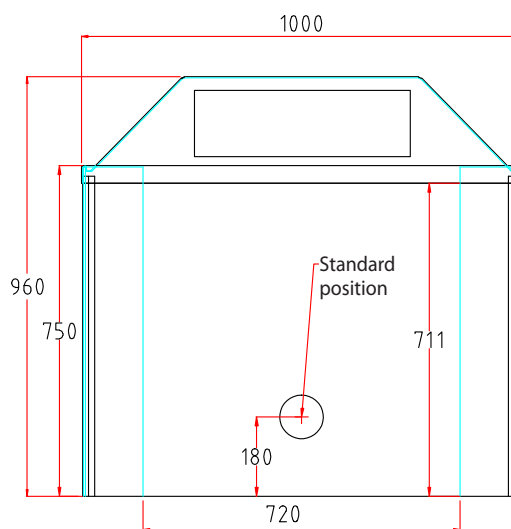
Small



Medium



Large



All dimensions in mm

Customised position of flange >>