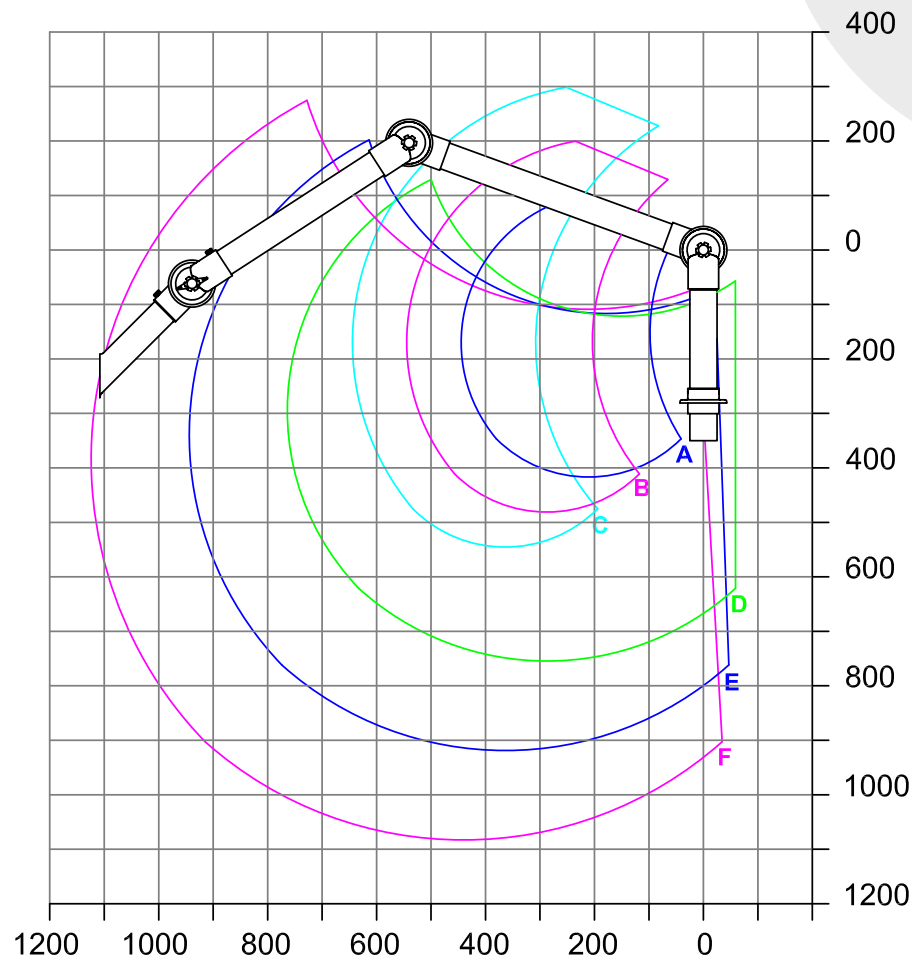


System 50 – Antistatic (AS)

Table Mounted (TM)



A: Model 50-27-1-6	R: 445 mm
B: Model 50-37-1-6	R: 545 mm
C: Model 50-47-1-6	R: 645 mm
D: Model 50-3727-1-6	R: 765 mm
E: Model 50-4737-1-6	R: 945 mm
F: Model 50-5747-1-6	R: 1125 mm

Accessory: Extractor Tube No. 1-5021-6

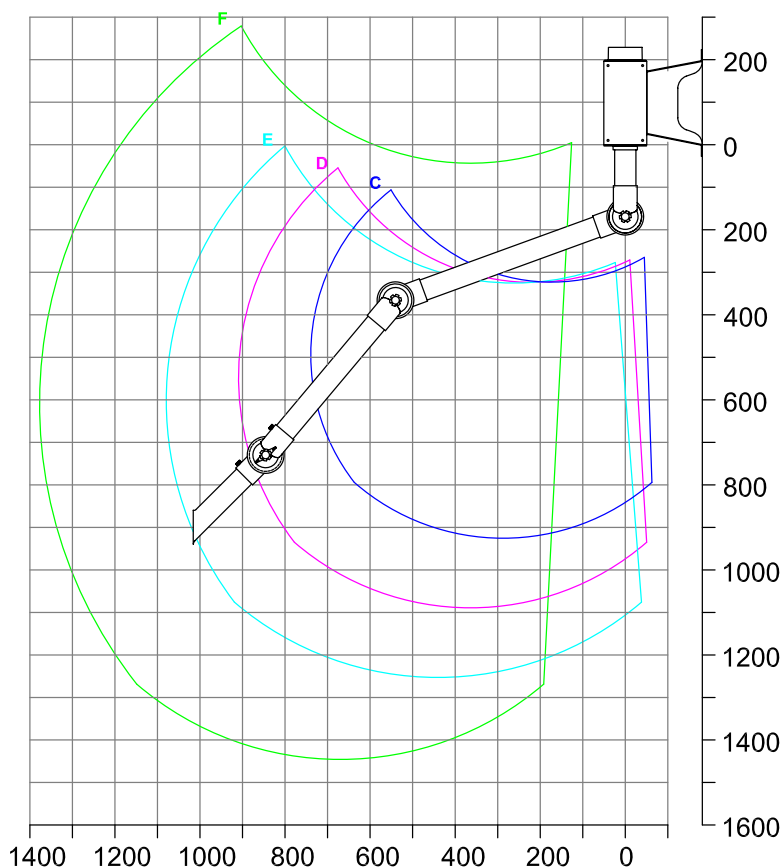
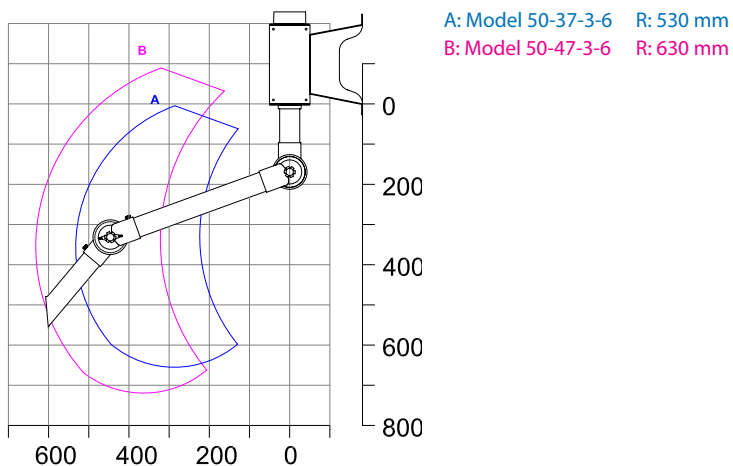
*The working area of the arm is defined from the center of the opening of the accessory.
The working area changes according to type of accessory and positioning.*

When choosing the arm we recommend that the stationary working position of the accessory is not placed in the highest or lowest part of the working area.

(All measurements in mm)

System 50 – Antistatic (AS)

Wall Mounted (WM)



Accessory: Extractor Tube No. 1-5021-6

The working area of the arm is defined from the center of the opening of the accessory.
 The working area changes according to type of accessory and positioning.

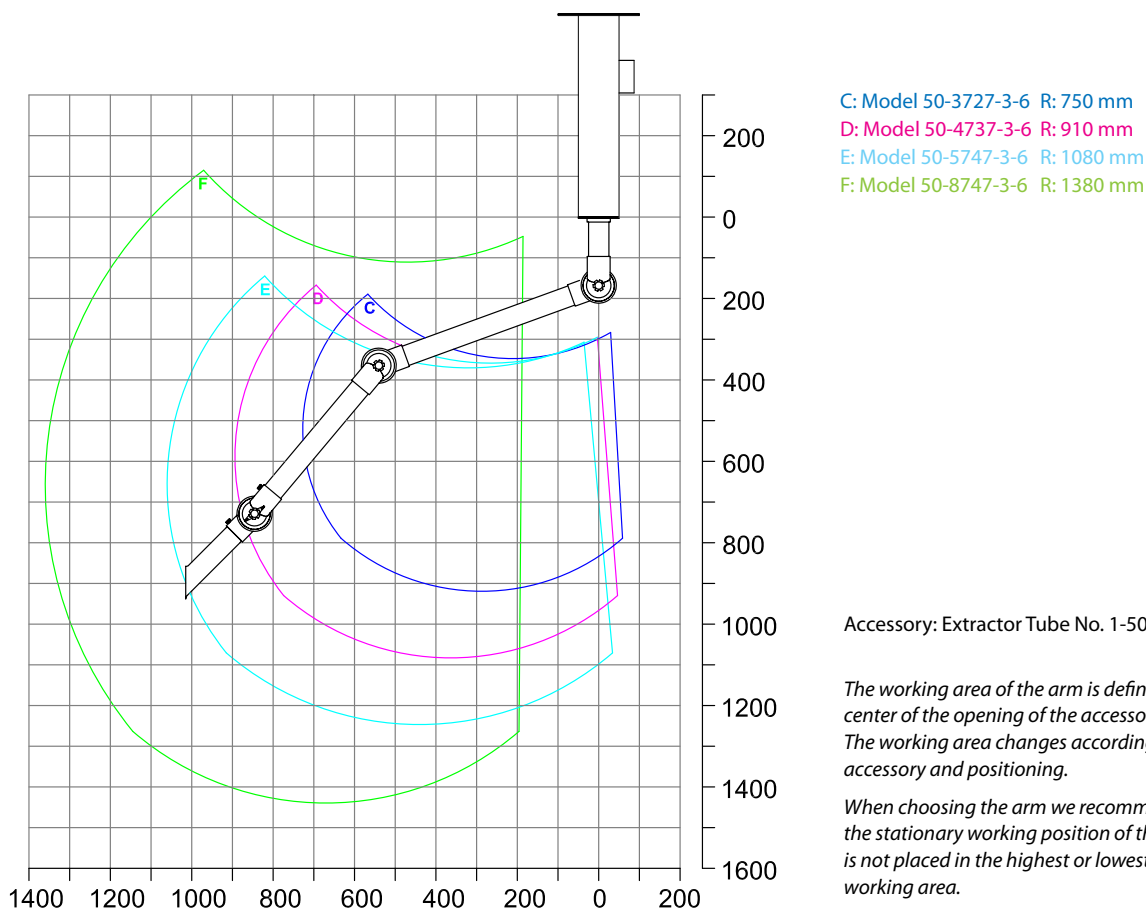
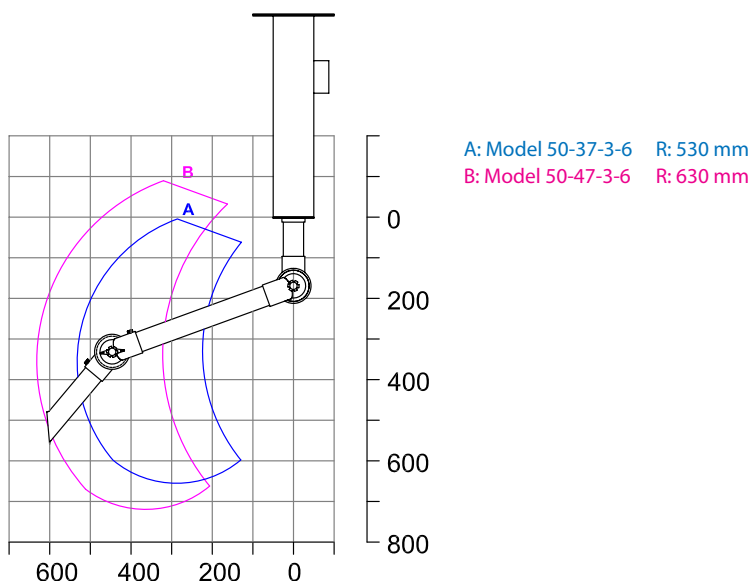
When choosing the arm we recommend that the stationary working position of the accessory is not placed in the highest or lowest part of the working area.

(All measurements in mm)



System 50 – Antistatic (AS)

Ceiling Mounted (CM)



Accessory: Extractor Tube No. 1-5021-6

The working area of the arm is defined from the center of the opening of the accessory. The working area changes according to type of accessory and positioning.

When choosing the arm we recommend that the stationary working position of the accessory is not placed in the highest or lowest part of the working area.

(All measurements in mm)

