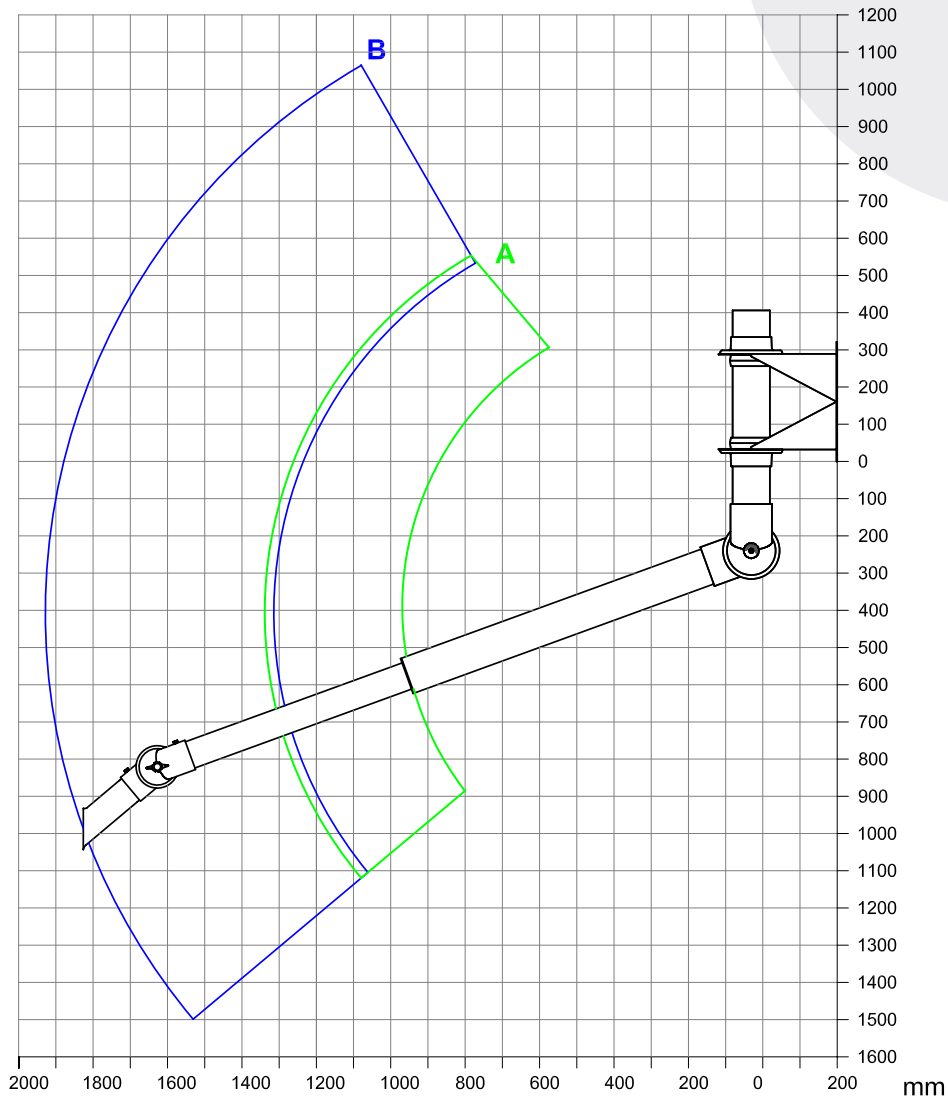


# Teleskop – Aluminium (AL)

## Wall Mounted (WM)



A: Model 900-1300-2 R: 950-1300 mm  
 B: Model 900-1900-2 R: 1300-1900 mm

Accessory: Extractor Tube No. 1-7525

*The working area of the arm is defined from the center of the opening of the accessory.  
 The working area changes according to type of accessory and positioning.*

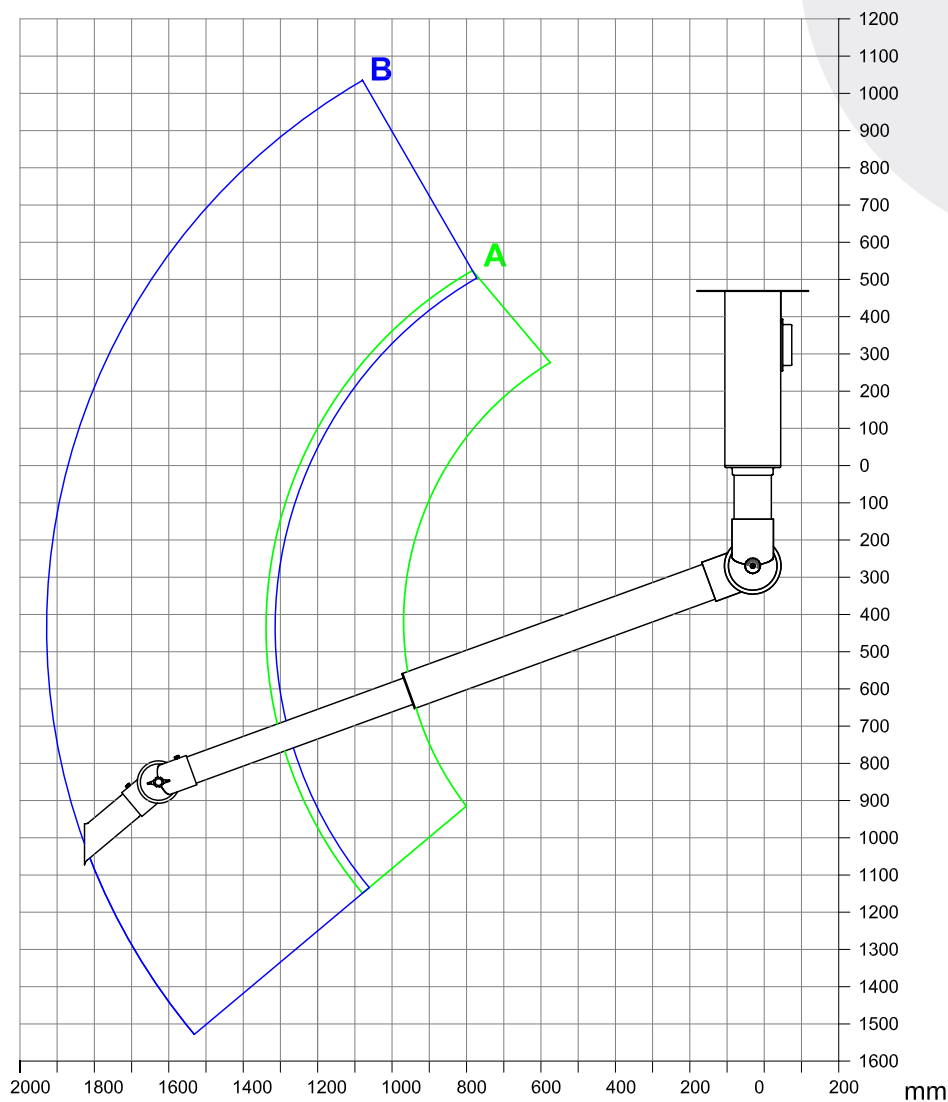
*When choosing the arm we recommend that the stationary working position of the accessory is not placed in the highest or lowest part of the working area.*

*(All measurements in mm)*



# Teleskop – Aluminium (AL)

## Ceiling Mounted (CM)



A: Model 900-1300-3 R: 950-1300 mm  
 B: Model 900-1900-3 R: 1300-1900 mm

Accessory: Extractor Tube No. 1-7525

*The working area of the arm is defined from the center of the opening of the accessory.  
 The working area changes according to type of accessory and positioning.*

*When choosing the arm we recommend that the stationary working position of the accessory is not placed in the highest or lowest part of the working area.*

*(All measurements in mm)*

